

# Honeydew Melon

## Fireworks Mixers JNQ00275-B-003

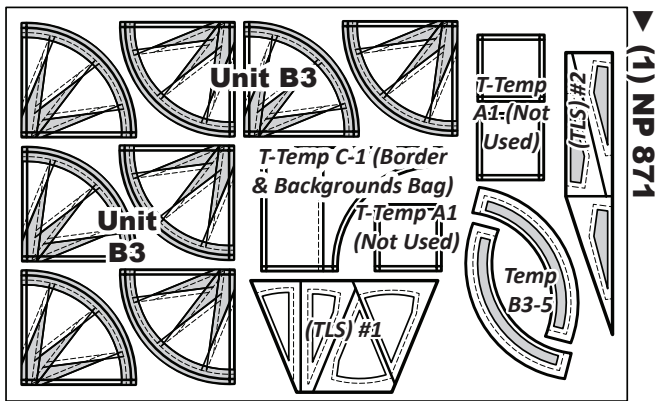
### GROUP B3: HONEYDEW MELON INSTRUCTIONS

**Ziploc Storage Bags:** You will need (2) bags to complete the organization for these blocks. Label the bag as follows to stay organized while cutting the Foundation Units and Templates. This package includes (8) Foundation Units.

- **Block Group Bag B3: (8)** Unit B3 Foundation Papers and associated Templates and TLS.
- **Border and Backgrounds Bag:** T-Temp C-1.

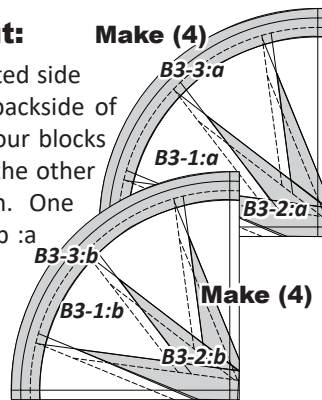
#### ► Preparing Foundation Papers & Templates:

Cut out (8) Unit B3, foundation papers [NP 871] and place in Group Bag B3. The Templates and Template Layout Sheets (TLS) are placed in Bag B3 as well. Cut out T-Temp C-1 and placed into the Border and Backgrounds Bag to be cut later. See the newsprint below for assigned Unit and Template names. \*Refer back to General Information under Foundation Papers and Templates for instructions on how to prepare your foundation papers and templates.



#### ► Standard Color Layout:

The color layout matches the printed side of the paper, which reflects the backside of the quilt. You will make half of your blocks using one color combination and the other half using a 2nd color combination. One group is referred to as Color Group :a and the other is Color Group :b.



#### ► Fabric Information:

The Unit Chart includes yardage, fabric numbers, and a reference to the Fabrics #s assigned to the (TLS)'s for Unit B3. Fabric B3-1 is assigned to the (BKG), B3-2 to the spikes, and B3-3 to the accent vein.

In addition to the fabrics needed to make Unit B3, you will also cut, at this time, the background fabrics, BT1 and BT2. For now, place these strips into the Border and Backgrounds Bag. They will be cut as part of Chapter 3.

#### Unit B3: (8) Blocks

GROUP-B3 FABRIC #	YARDAGE INCH	FABRIC SWATCH
Fabric B3-1:a: Bkg Unit B3 (TLS) #1	1/4 yd or (6-1/4")	Fabric Swatch
	(1) 6-1/4" Strip	
Fabric B3-1:b: Bkg Unit B3 (TLS) #1	1/4 yd or (6-1/4")	Fabric Swatch
	(1) 6-1/4" Strip	
Fabric B3-2:a Spikes Unit B3 (TLS) #2	1/4 yd or (5")	Fabric Swatch
	(2) 2-1/2" Strips	
Fabric B3-2:b Spikes Unit B3 (TLS) #2	1/4 yd or (5")	Fabric Swatch
	(2) 2-1/2" Strips	
Fabric B3-3:a: Vein Unit B3 Temp B3-5	1/4 yd or (9")	Fabric Swatch
	(1) 9" Strip	
Fabric B3-3:b: Vein Unit B3 Temp B3-5	1/4 yd or (9")	Fabric Swatch
	(1) 9" Strip	
Fabric BT1:a* T-Temp C-1	1/4 yd or (9")	Fabric Swatch
	(1) 7" Strip	
Fabric BT1:b* T-Temp C-1	1/4 yd or (9")	Fabric Swatch
	(1) 7" Strip	
Fabric BT2:a* T-Temp C-1 (alt)	1/4 yd or (9")	Fabric Swatch
	(1) 7" Strip	
Fabric BT2:b* T-Temp C-1 (alt)	1/4 yd or (9")	Fabric Swatch
	(1) 7" Strip	

**NOTE - \*:** Place Fabrics BT1:a and BT1:b, BT2:a and BT2:b into the Border and Backgrounds Bag for later.

### GROUP B3: CUTTING INSTRUCTIONS

**NOTE - Stacking Strips:** Stack your strips in alphabetical order when using multiple colors.

**NOTE - Reusing your Templates:** Templates and (TLS) are repositioned on the cut strips to achieve the number of cuts required in the cutting Instructions. Please read carefully to ensure the correct # of pieces are stacked beneath each Template before cutting.

#### ► Fabric B3-1:a & :b, TLS #1

One 6-1/4" by 42" strip yields enough fabric to cut (5) pieces matching the size and shape of (TLS #1) and you only need (4) from each Fabric B3-1:a and :b.

# Border & Backgrounds

## BORDER AND BACKGROUND INSTRUCTIONS

**Ziploc Storage Bag:** In Group one, a Border and Background bag was recommended that would include *Template C-1*. In addition to that, there should be fabric strips for BT1 and BT2. Below, is information on yardage and cutting for the Border and Background Rectangles. After that, there is additional cutting information for the Template C-1 pieces.

## CUTTING YOUR FABRICS

**Foundation Papers:** There are no foundation papers for the final pieces and Templates. This is simply because the border sashing background rectangles are nice, even dimensions to cut and we felt giving you those dimensions were just as easy as giving you a cutting template.

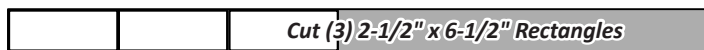
### Fabric Information

The following table shows the yardage needed for your borders and background rectangles. Reference the graphic on Page 15 to see where Fabrics B1 and B2 are placed.

Borders		
GROUP-B FABRIC #	YARDAGE INCH OR # OF STRIPS	FABRIC SWATCH
Fabric B1 Background Rectangle	1/8 Yd or 2-3/4"	Fabric Swatch
	(1) 2-3/4" Strip	
Fabric B2 Border Strips, Backing, and Binding	1-5/8 Yards or 58"	Fabric Swatch

### Fabric B1, Background Rectangle

**Step 1:** Cut (1) 2-3/4" x 42" strip and place right-side-up on your table. Cut (3) background rectangles to 2-1/2" by 6-1/2" from Fabric B1. Clip together and place into the Border and Backgrounds Bag.

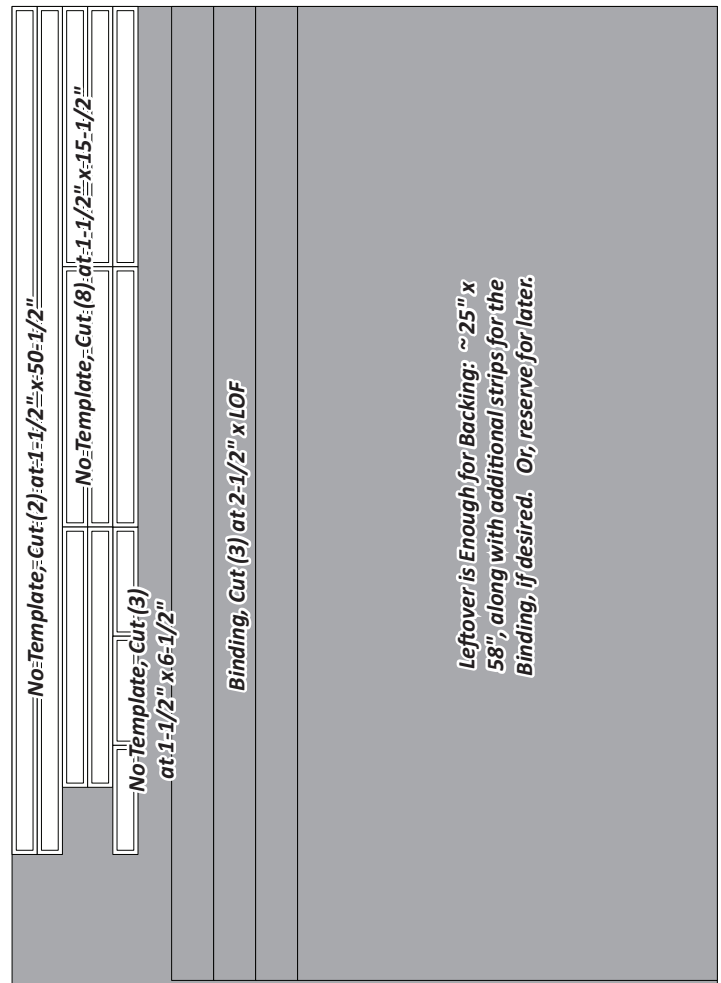


### Fabric B2, Borders, Backing, and Binding

The cutting graphic for Fabric B2 is shown above and to the right. Cut the following, along the length of fabric:

- (2) 1-1/2" x 50-1/2" strips
- (8) 1-1/2" x 15-1/2" strips
- (3) 1-1/2" x 6-1/2" strips
- Optional: (3) 2-1/2" x LOF strips for Binding
- Optional: Use the rest for backing

If you do not want to cut your Backing and binding from the leftovers, you will need an additional 1-5/8 yard for the backing



and 3/8 yard for the binding out of alternative fabrics. Place the cut pieces into the Border and Background Bag until you are ready for final assembly.

## ALTERNATIVE T-TEMPLATE: CUTTING INSTRUCTIONS

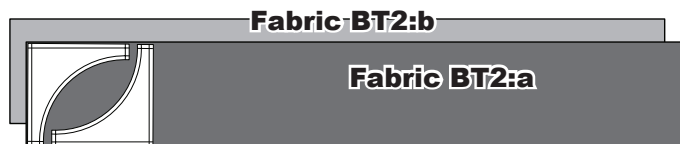
### Fabric BT1 (T-Temp C-1) 6" x 9" Rectangle

One 7" by 42" strip yields enough fabric to cut (6) 7" by 9-1/2" rectangles. You only need (4) rectangles for this pattern, however they must be cut from (2) different strips.



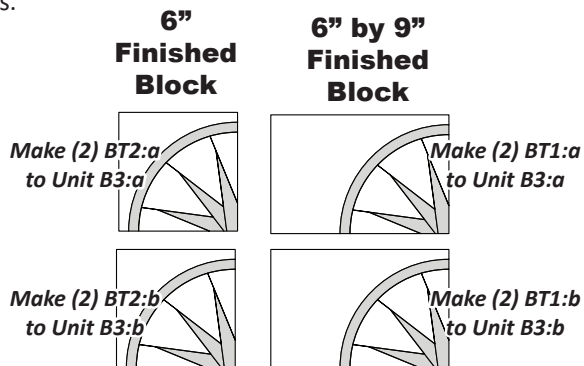
## ► Fabric BT2 (T-Temp C-1) 6" Block

One 7" by 42" strip yields enough fabric to cut (10) background templates. You only need (4) in this pattern, but you are cutting them out of (2) different fabrics, so we recommend (2) 7" fabrics. Place the leftover in your stash. Once the BT1 pieces are cut in the previous step, trim or fold back on *T-Temp C-1* on the *Alt Temp Cut Line*. Then, place it on the 7" strips from BT2. You only need (4) of these, (2) cut from each BT2 Fabric.



## CURVED PIECING

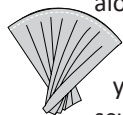
**Curved Piecing:** The BT1 and BT2 pieces are joined with the JNQ00275-B-Block Groups to complete a 6-1/2" square block and a 6-1/2" x 9-1/2" finished block. You will create (4) of each block. Sew the :a fabrics to the :a blocks and the :b fabrics to the :b blocks.



**Removing Paper:** If you would like to leave the papers on *Unit B3* while you curve piece, it will help stabilize the units during curved pieces. You can also remove it, just be sure to match the center of the two curves and the edges, and sew slowly to prevent puckers.

**NOTE - Set your machine to sew 1/4" seams!**

**Step 1:** Position *T-Temp C-1* piece on top of *Unit B3*, *right-sides together* with *T-Temp C-1* on top. Match and secure both sides. A pin in the center can also be helpful. To find the center, fold the *T-Temp C-1* and *Unit B3* in half. Then, glue the raw edges together along the top edge of the curved unit.



**Step 2:** *Unit B3* is placed next to the feed dogs at your machine, placing *T-Temp C-1* on the top. Start sewing at the left edge and continue the seam to the opposite edge keeping the edges aligned as you sew. When the curved piecing is complete, press the seam toward *T-Template C-1* on your square blocks, and towards *Unit B3* on the rectangle block. This will give you interlocking seams when you sew the blocks together and make it easier to match the seams, also reducing bulk. Place the finished blocks into Group Bag B3.

## TABLE RUNNER ASSEMBLY

Assembly graphics are included on the following three pages.

**Assembly Graphic 1:** This shows an exploded view of the Table Runner. Pay attention to the placement of your :a and :b blocks. A graphic on the next page shows you where each of the fabrics should be placed. Also, pay attention to your flying geese blocks. We placed one going up and one going down, so the table topper does not have a direction.

**Assembly Graphic 2:** Reference Assembly Graphic 2 for pressing details on the back of the Table Runner so you can properly manage the intersecting seams on the back. Sew your Table Runner Rows together. Press the seams as shown for each row.

**Assembly Graphic 3:** Add the horizontal border strips. Press the seams towards the border strips.

**Assembly Graphic 4:** Add the two side border strips. Press the seams toward the border.

## QUILTING DESIGNS

We used an all over design for this Table Runner with straight lines, which we felt was not only fast, but did not detract from the shapes of the blocks. A digitized quilting design is not available for this specific blocks from Quiltworx.com, but others might have one.

## DOUBLE FOLDED BINDING INFORMATION

After the quilt top has been quilted, you can add the binding. Quiltworx.com recommends a 2-1/2" strip, ironed in half, lengthwise, then sewn to the front of the quilt and hand stitched down to the back side. The table topper requires (4) strips cut width of fabric, for a total yardage of 10", which we suggest rounding up to 3/8 of a yard. Or, (3) strips cut length of fabric from the leftover border fabric, which will save you some yardage in your kit.