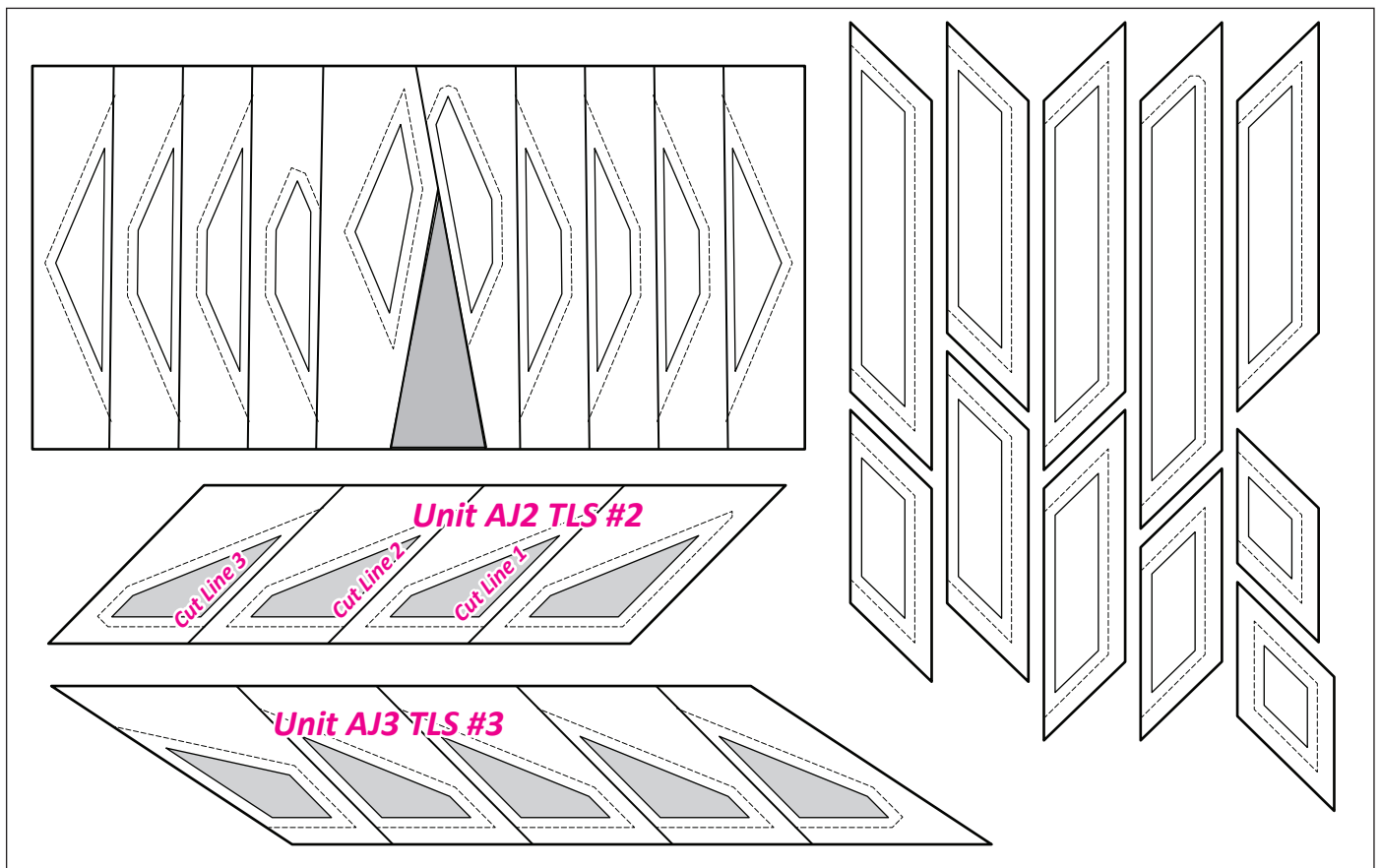


► (1) TP 401:

Please make the following notes on the labels for TLS #2 and #3 on TP 401. We will update these labels on the next printing. Thank you!



► (1) NP 629:

On Unit AJ2, the Sew Line numbers start with Line 4. This should have been Line 1, moving in order. Please just start on Line 4, and continue sewing. We'll update on the next printing. Thank you!