

Basket of Posies

JNQ00242-D-011 Queen Border Mixer 99" x 99"

GROUP D-011: BASKET OF POSIES

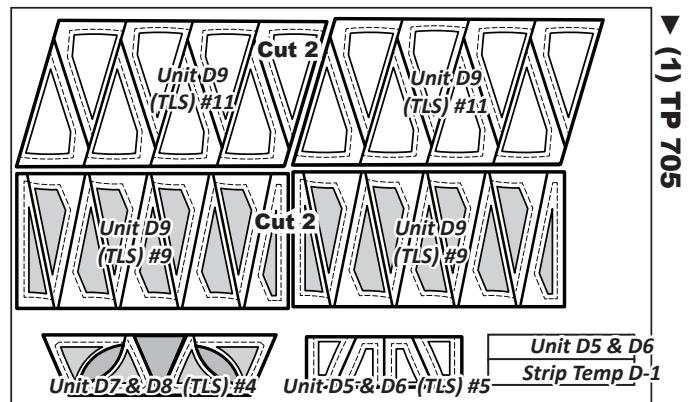
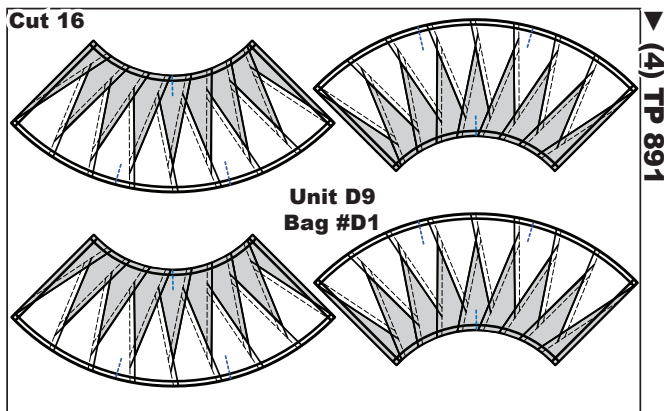
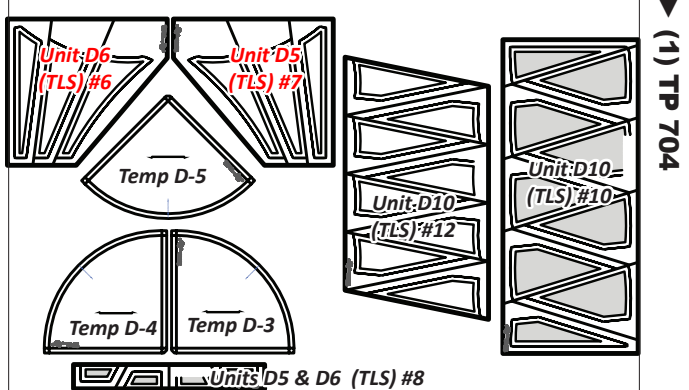
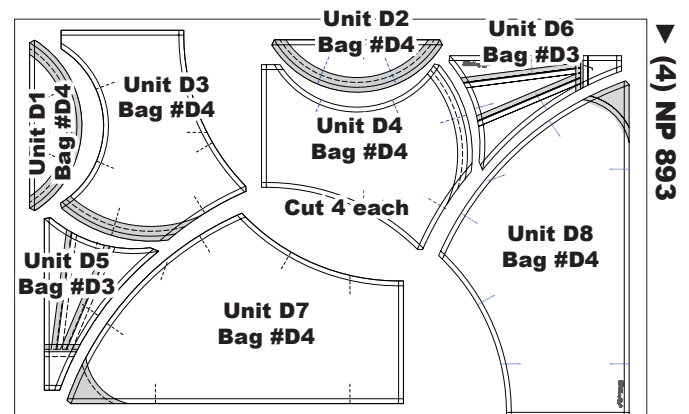
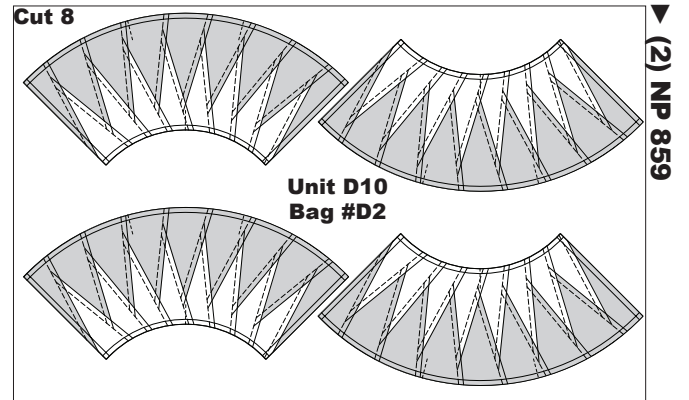
Ziploc Storage Bags: You will need (6) bags to complete the organization for these instructions. Label the bags as follows to stay organized while cutting the Foundation Units and Templates.

- Bag #D1: (16) Unit D9 Foundation Papers
- Bag #D2: (8) Unit D10 Foundation Papers
- Bag #D3: (4) ea. Units D5 & D6 Foundation papers
- Bag #D4: (4) ea. Units D1- D4, D7, D8 Foundation Papers
- Bag #D5: (1) ea. T-Template D3-D9
- Template Bag #D6: (TLS) 1-11, Strip Temp D1, & Alternative Basket Templates B5-1 & B6-1.

PREPARING THE FOUNDATION PAPERS:

Foundation Papers: This booklet includes enough foundation papers to complete (1) 99" x 99" *Queen Expansion Border* noted as Group D. This layout is one of many used in several of our Mixer Patterns for our Queen Expansion Layouts. The foundation papers and templates for this pattern are printed on newsprint. Newsprint is lightweight and tears away from your stitches without damaging the threads. Please pull apart this package and check, at this time, to make sure your pattern includes all of the newsprint pages listed below.

Cut out (16) each of Unit D9 [NP 891], (8) each of Unit D10 [NP 892] (4) each of Units D1–D8 [NP 893], (4) (TLS) #3 [TP 789], (2) (TLS) #9 & 113 [TP 705] and (1) each of the remaining Templates and Template Layout Sheets [TP 704 thru 789]. The associated Templates and Template Layout Sheets (TLS) are placed in a temporary bag. After the fabric has been cut the individual Sec. Templates for the (TLS) are placed into assigned Bag #s with their associated foundation papers. Reference the newsprint graphics that follow for the location of each Unit, Template and TLS along with the associated Bag # if applicable. **Refer back to General Information for Foundation papers and templates for additional instructions on how to prepare your foundation papers and templates.*



NOTE - Tips! Reuse of Templates: Templates and (TLS) are repositioned on the cut strips to achieve the number of cuts required in the cutting instructions. Please read carefully to ensure the correct # of pieces are stacked beneath each template before cutting.

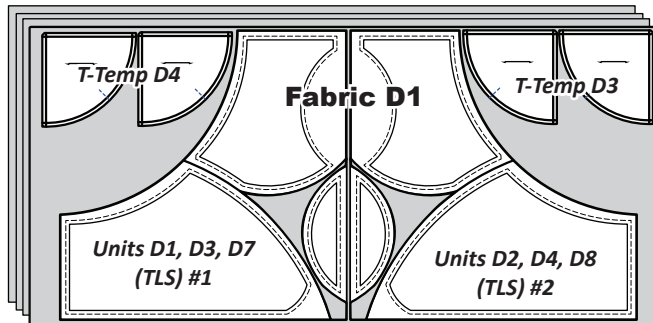
NOTE - Tip! Glue: Repositionable glue placed on the backside of each template will keep the templates and (TLS) from moving in the cutting process.

CUTTING INSTRUCTIONS

Pre-cutting Information: The fabric strips are paired up with the Fabric #s and Templates in the cutting instructions. On occasion some of the fabric strips require additional sub cutting to size them correctly with the Template. After the template pieces are cut, the templates and fabric pieces are placed into their assigned Bag #s.

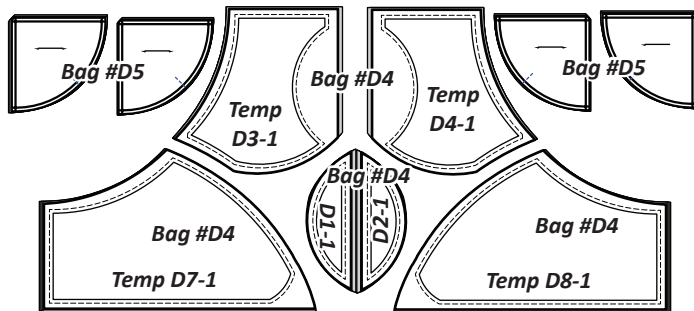
► Fabric D1: (TLS) #1 & #2

Step 1: Cut (4) 20" by 42" strips from *Fabric D1*, stack facing **right-side up**. Position **Units D1 & D3 & D7 (TLS) #1** along the left edge of the stack and **Units D2, D4 & D8 (TLS) #2** on the right edge. **T-Temp D4 & D3** are placed in the upper left and right hand corners.



Step 2: Cut (8) pieces the size of **T-Temp #3 and #4**, then cut (4) pieces matching the size and shape of each (TLS) #1 and #2.

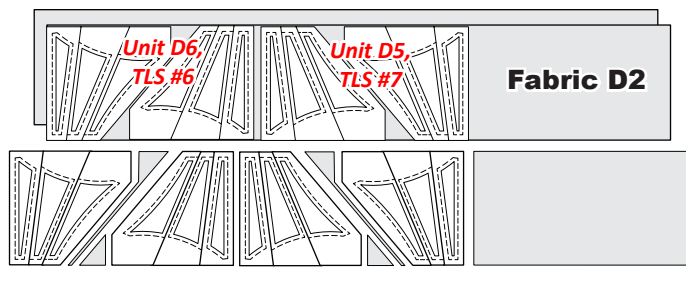
Step 3: To complete the cutting for the (TLS), cut on each *Cut Line* to separate the individual pieces, then clip the section template to the fabric beneath. Place **Temp D1-1 thru D4-1**, and **D7-1 & D8-1**, into Bag #D4. Place **T-Temp D3 & D4** into Bag #D5.



► Fabric D2: (TLS) #6 & #7

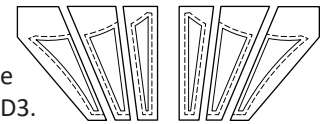
Cutting Option (1): Basket with Sashing.

Step 1: Cut (2) 7-3/4" by 42" strips from *Fabric D2*, stack facing **right-side up**. Position **Units D6, (TLS #6), and Unit D5, (TLS #7)** onto the stack and cut (4) pieces matching the size and shape of the (TLS). Reposition each TLS for the 2nd cut.



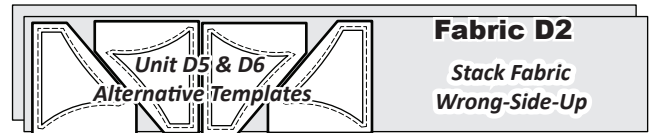
Step 2: Stack the (4) fabrics and place the respective TLS on top.

Cut the templates on the *Cut Line* to separate the individual pieces. Clip each section template to the fabric beneath and place into Bag #D3.

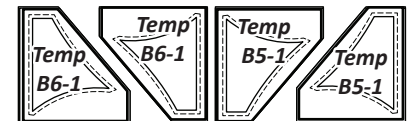


Cutting Option (2): Basket with no Sashing

Step 1: Cut (2) 7-3/4" by 42" strips, *Fabric D2*, stack facing **'WRONG-SIDE-UP'**. Position **Unit D5, Alternative Basket Temp B5-1**, and **Unit D6, Alternative Basket Temp B6-1**, onto the backside of your strips and cut (4) pieces. Clip each section template to the fabric beneath and place into Bag #D3.



NOTE - If you chose Option 2, for the basket, you can skip the cutting listed under *Fabric D3, Strip Temp D-1*.



► Fabric D3: Strip Temp D-1 (Sashing)

This cut is only necessary if you are doing Option 1 for Fabric D2.

Step 1: Cut (2) 2-3/4" by 42" strips from *Fabric D3*, stack facing **right-side up**. **Unit D5 & D6, Strip Temp D1** is used to cut (8) pieces matching the size the template.

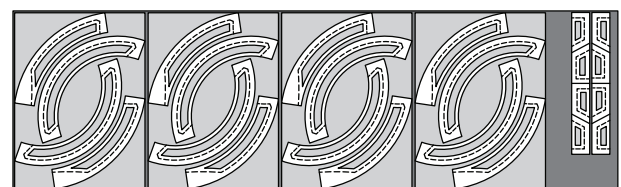


Step 2: Complete the cutting on *Cut Line 1* to yield (16) pieces for your basket sashing. Clip the section template to the fabric beneath and place in Bag #D3.



► Fabric D4: (TLS) #3 & #8

Step 1: Cut (1) 12-1/2" by 42" strip from *Fabric D4*, place **right-side-up**. A small amount of repositionable fabric glue is placed on the backside of each **Units D1, D2, D3, & D4, (TLS) #3**. **Units D5, D6, (TLS) #8** is then placed along the right edge of your strip. The backside of each layout sheet is then placed against the right-side of the fabric.



Step 2: Cut (2) pieces matching the size & shape of (TLS) #8. Stack both fabric pieces beneath the (TLS) and *Cut Lines 1-3*. Place these pieces in Bag #D3.



Step 3: Cut between each layout sheet leaving about 1/8" excess fabric along each edge. Set your stitch length at 2.0 and sew the (TRP) Lines. After the (TRP) lines are sewn, trim the threads tails off on each (TRP) line, front and back.

