

# Basket of Posies

## JNQ00242-D-011 Queen Border Mixer 99" x 99"

### GROUP D-011: BASKET OF POSIES

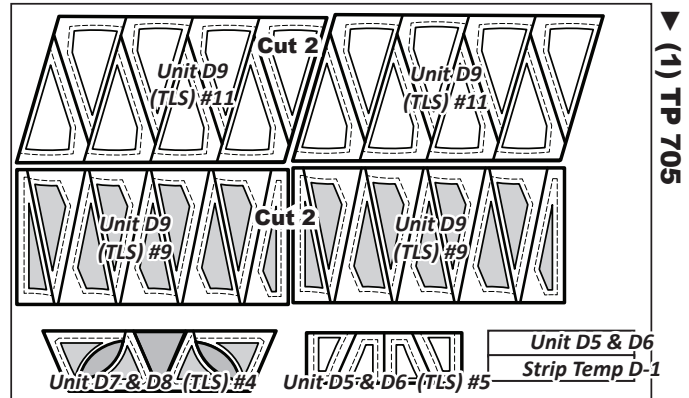
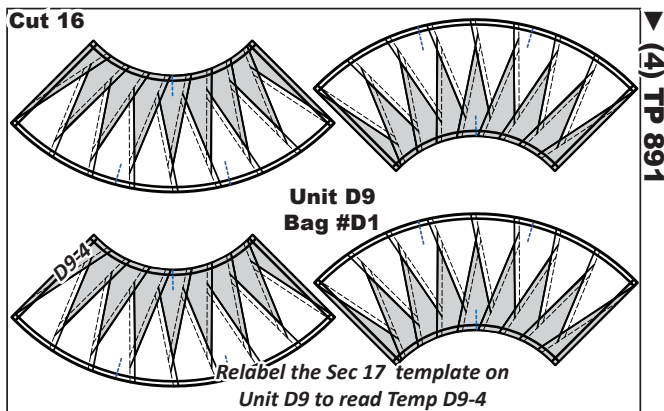
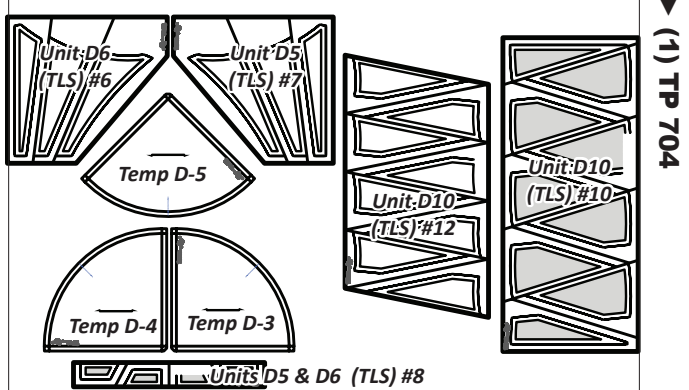
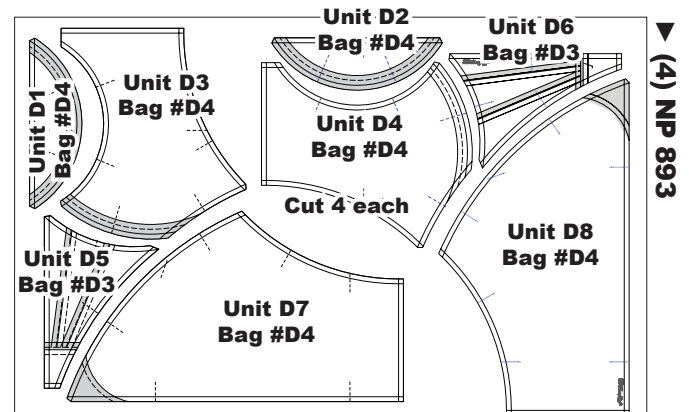
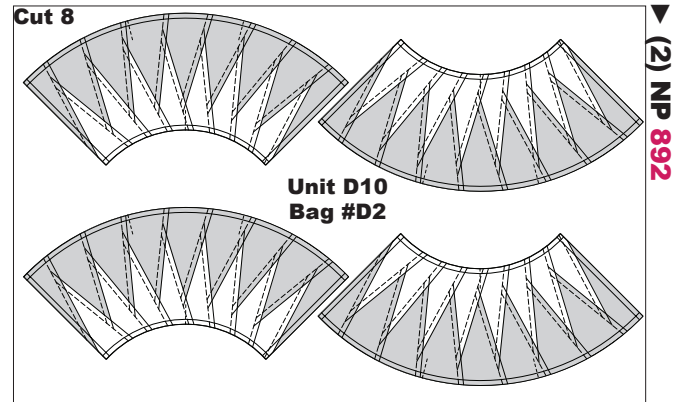
**Ziploc Storage Bags:** You will need (6) bags to complete the organization for these instructions. Label the bags as follows to stay organized while cutting the Foundation Units and Templates.

- Bag #D1: (16) Unit D9 Foundation Papers
- Bag #D2: (8) Unit D10 Foundation Papers
- Bag #D3: (4) ea. Units D5 & D6 Foundation papers
- Bag #D4: (4) ea. Units D1- D4, D7, D8 Foundation Papers
- Bag #D5: (1) ea. T-Template D3-D9
- Template Bag #D6: (TLS) 1-11, Strip Temp D1, & Alternative Basket Templates B5-1 & B6-1.

### PREPARING THE FOUNDATION PAPERS:

**Foundation Papers:** This booklet includes enough foundation papers to complete (1) 99" x 99" *Queen Expansion Border* noted as Group D. This layout is one of many used in several of our Mixer Patterns for our Queen Expansion Layouts. The foundation papers and templates for this pattern are printed on newsprint. Newsprint is lightweight and tears away from your stitches without damaging the threads. Please pull apart this package and check, at this time, to make sure your pattern includes all of the newsprint pages listed below.

Cut out (16) each of Unit D9 [NP 891], (8) each of Unit D10 [NP 892] (4) each of Units D1–D8 [NP 893], (4) (TLS) #3 [TP 789], (2) (TLS) #9 & 113 [TP 705] and (1) each of the remaining Templates and Template Layout Sheets [TP 704 thru 789]. The associated Templates and Template Layout Sheets (TLS) are placed in a temporary bag. After the fabric has been cut the individual Sec. Templates for the (TLS) are placed into assigned Bag #s with their associated foundation papers. Reference the newsprint graphics that follow for the location of each Unit, Template and TLS along with the associated Bag # if applicable. \*Refer back to General Information for Foundation papers and templates for additional instructions on how to prepare your foundation papers and templates.



**NOTE - Tips! Reuse of Templates:** Templates and (TLS) are repositioned on the cut strips to achieve the number of cuts required in the cutting instructions. Please read carefully to ensure the correct # of pieces are stacked beneath each template before cutting.

**NOTE - Tip! Glue:** Repositionable glue placed on the backside of each template will keep the templates and (TLS) from moving in the cutting process.