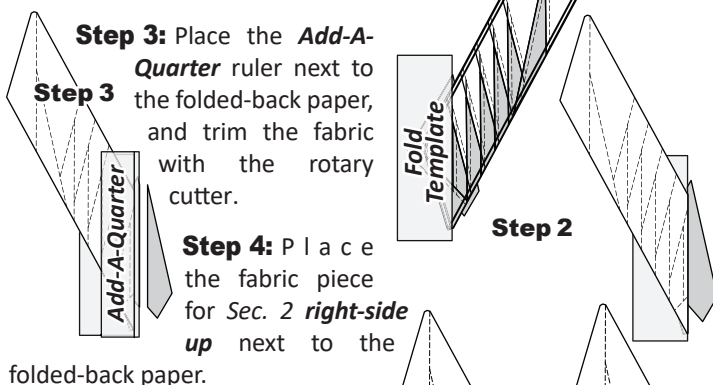


Step 2: Place the fold template over the top of *Sec. 1*. Line the edge up with the solid black line marked *Line 1*. Fold the paper back over the top of the fold template.



Step 3: Place the *Add-A-Quarter* ruler next to the folded-back paper, and trim the fabric with the rotary cutter.

Step 4: Place the fabric piece for *Sec. 2* *right-side up* next to the folded-back paper.

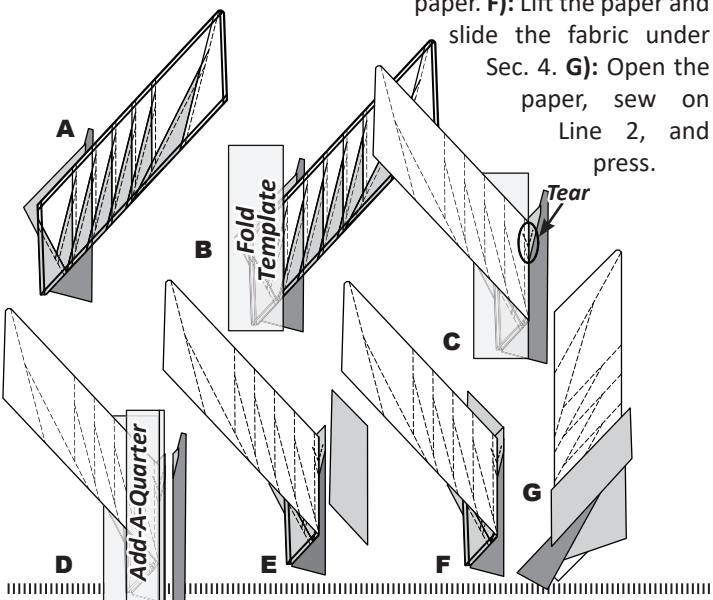
Step 5: Lift the paper, and slide the fabric under *Sec. 1*, lining the sew-side up with the trimmed seam allowance. Repeat *Steps 2-5* for each foundation paper before moving on to Step 6.

Step 6: Open the paper and sew on *Line 1*. The stitches should start and stop about 1/8" past the beginning and the end of each stitch line. Complete the sewing on each unit before moving on to the next step.

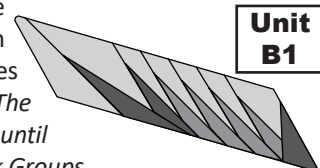
NOTE - Trimming the Threads: Sewing past the ends of your sew line makes it possible to cut the thread ends off each time you trim with your *Add-A-Quarter* ruler.

Step 7: Loosen the glue under *Sec. 1*, then press the fabric pieces open on the backside of each paper.

Step 8: Complete the following steps to add fabric pieces to *Sec. 3*. **A):** Place the unit paper-side up on your cutting surface. **B):** Position the fold template over the top of *Sections 1 and 2*, lining the edge up with *Line 2*. **C):** Fold the paper back and tear the paper along the stitches on *Line 1*. Stop tearing when you hit the fold template. **D):** Trim the fabric with the *Add-A-Quarter* ruler. **E):** Position the fourth fabric piece *right-side up* next to the paper. **F):** Lift the paper and slide the fabric under *Sec. 4*. **G):** Open the paper, sew on *Line 2*, and press.

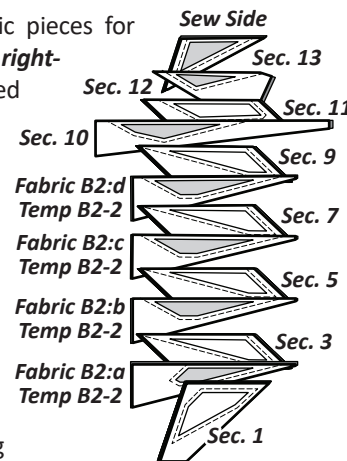


Step 9: Continue adding the remaining fabric pieces to each section on the foundation papers. Trim the excess paper and fabric off around the perimeter of the printed paper; remember to trim the Smart Corners! Place these pieces back into Bag #B1. **Note:** The foundation paper is not removed until you are ready to assemble the Block Groups.



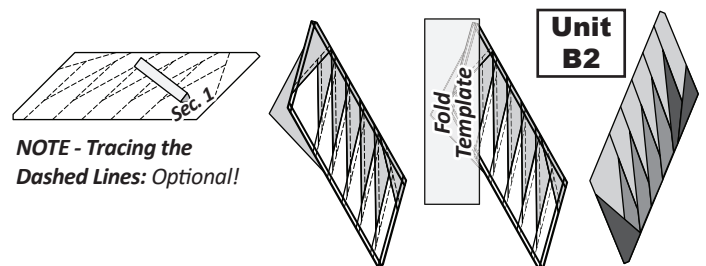
STACKING & ASSEMBLY: UNIT B2, BAG #B2

Position the templates and fabric pieces for Unit B2 in numerical order facing *right-side up*, with the *sew-sides* aligned at the top. *Sec. 1* does not have a sew side.



Stacking: Begin the stacking process with *Sec. 13* on the bottom. Continue stacking pieces in the sewing order, placing Fabrics B2:a to B2:d in the correct order for the B2-2 templates as shown.

Assembly: The paper piecing for Unit B2 is the same as Unit B1. The only difference is the number of pieces. We have added the first few graphics to get you started with Unit B2. Trim the excess fabric off around the perimeter of the printed paper then place the Unit B2 pieces back into Bag #B2.



► Finishing the Block

To avoid Y-seams in the assembly process, the (8) Star Border Units are **NOT** joined at this time. The pieces are set aside until all the piecing is completed for the remaining groups in your mixer pattern.

