

# GROUP A: SEA HOLLY LEAF INSTRUCTIONS

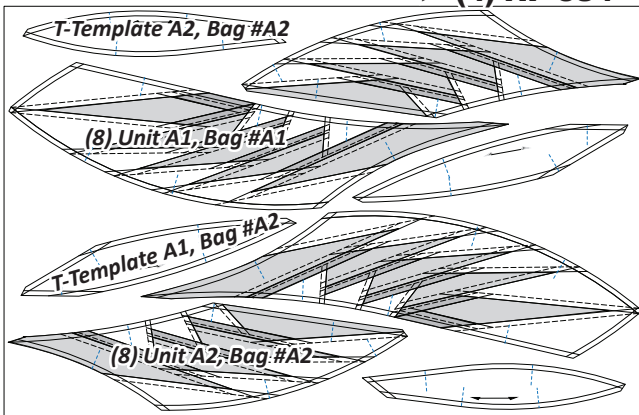
**Ziploc Storage Bags:** You will need (3) Bags to complete the organization for these instructions. Label the Bags as follows to stay organized while cutting the Foundation Units and Templates.

- Bag #A1: (8) Unit A1
- Bag #A2: (8) Unit A2
- Bag #A3: Temporary Template Bag

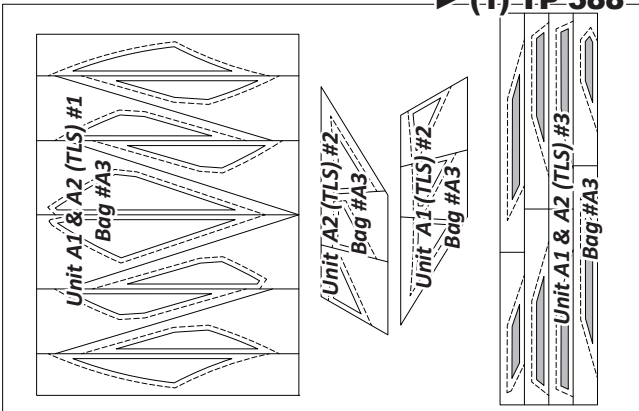
## ► Preparing the Foundation Papers:

**Step 1:** Cut out (8) of each Unit A1, and A2 [NP 584], and (1) of each Template and Template Layout Sheet on [TP 388 & TP 389]. Place (8) Unit A1 into Bag #A1, place (8) Unit A2 into Bag #A2, and all the Templates into Bag #A3 for now. See the newsprint graphics that follow for information on how to organize your units and templates into bags. \*Refer back to General Information for Foundation Papers and Templates for additional instructions on how to prepare your foundation papers and templates.

### ► (4) NP 584

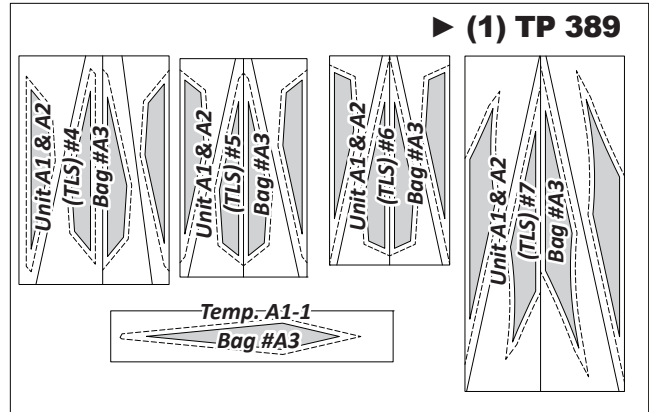
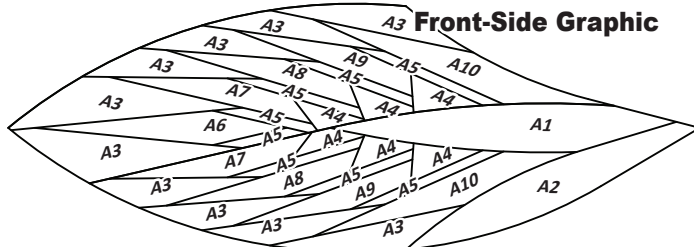


### ► (1) TP 388



## ► Color Layout:

The color layouts for :a and :b is the same. Use an :a behind each Fabric Reference in the :a layout and a :b, for the :b Layout.



## ► Sea Holly Leaf Center Fabric Information:

There are (2) Unit Charts for this layout because there are (2) distinct colorways for your blocks. Each chart includes yardage, fabric references, and which fabrics should go with which cutting templates to complete Group A. The yardage shown below is for (8) Units, with (2) different colorways. These charts are meant to help you stay organized. A color layout graphic at the bottom of the page shows where each of the fabrics go as well (front side of unit). Don't forget to cut a swatch of your chosen fabric to paste in the box in the Assigned Colors column in the tables!

Unit A1 and A2: Make (4) Colorway 1		
GROUP-A FABRIC #	YARDAGE INCH	ASSIGNED COLORS
Fabric A1:a Unit A1 (T-Temp A1)	1/4 yd or (5-1/2")	FABRIC SWATCH
Fabric A2:a Unit A1 (T-Temp A2)	1/4 yd or (5-1/2")	FABRIC SWATCH
Fabric A3:a Unit A1 & A2 (TLS #1)	7/8 yd or (28")	FABRIC SWATCH
Fabric A4:a Units A1 & A2 (TLS #2)	1/4 yd or (7")	FABRIC SWATCH
Fabric A5:a Unit A1 & A2 (TLS #3)	3/8 yd or (11")	FABRIC SWATCH
Fabric A6:a Unit A1 (Temp A1-1)	1/2 yd or (14-1/2")	FABRIC SWATCH
Fabric A7:a Unit A1 & A2 (TLS #4)	3/8 yd or (12")	FABRIC SWATCH
Fabric A8:a Unit A1 & A2 (TLS #5)	3/8 yd or (11 1/2")	FABRIC SWATCH
Fabric A9:a Unit A1 & A2 (TLS #6)	3/8 yd or (11")	FABRIC SWATCH
Fabric A10:a Unit A1 & A2 (TLS #7)	1/2 yd or (18")	FABRIC SWATCH