

# FOUNDATION PIECING BAG #2, S1L & S2L

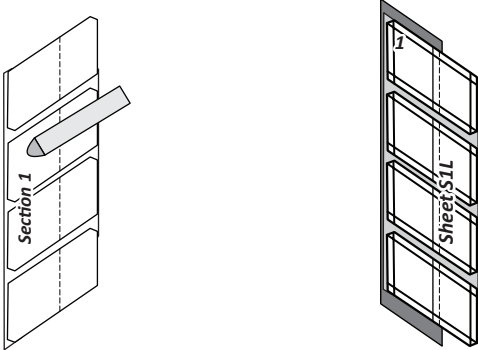
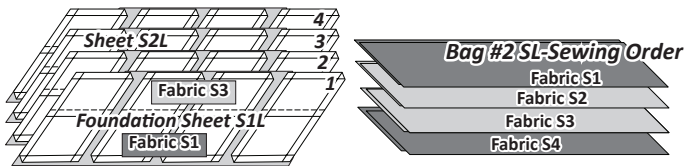
## ► Round 1: Strips 1–4

The piecing process is the same for *Foundation Sheets S1L & S2L*. We have added a few graphics to get you started.

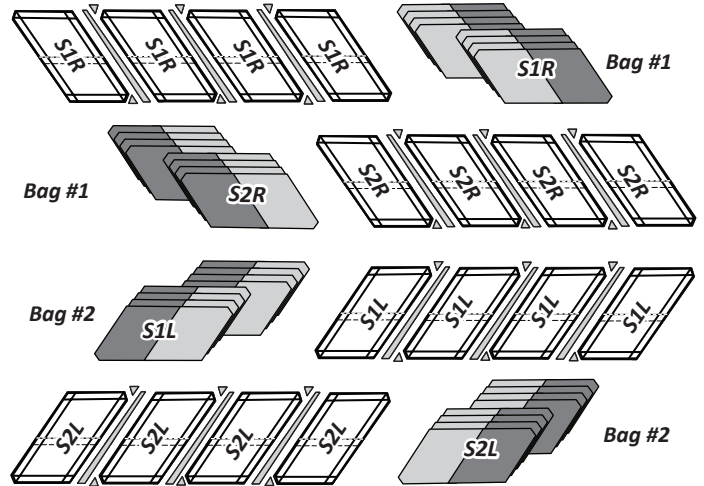
1. Pair Fabric S1, Strip #1, to Paper #1, Sheet S1L, Sec 1.
2. Pair Fabric S1, Strip #2, to Paper #2, Sheet S1L, Sec 1.
3. Pair Fabric S2, Strip #3 to Paper #3, Sheet S2L, Sec 1.
4. Pair Fabric S2, Strip #4 to Paper #4, Sheet S2L, Sec 1.

## ► Round 2: Strips 5–8

5. Place Fabric S3, Strip 5 under Paper #1 Sheet S1L, Sec 2.
6. Place Fabric S3, Strip 6 under Paper #2 Sheet S1L, Sec 2.
7. Place Fabric S4, Strip 7 under Paper #3 Sheet S2L, Sec 2.
8. Place Fabric S4, Strip 8 under Paper #4 Sheet S2L, Sec 2.

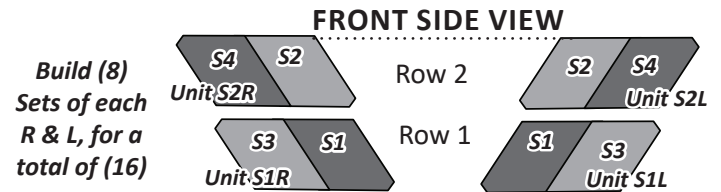


**Step 4:** Clip the pieces for each group together and place back into their assigned bags until you are ready to assemble the diamonds.



## ASSEMBLE THE DIAMONDS

**Step 1:** Arrange the colors for each strip into the order they will be sewn together. One, each, of Rows 1, & 2 are joined to complete (16) diamonds.



**NOTE - Color Placement:** Pay close attention to the color orientation. Check your strips to make sure the colors and rows are positioned correctly before you sew the strip sets together.

**NOTE - Making Corrections:** If you find a color has been sewn in the wrong position, it's not too late to fix it. The pieces at this point have been cut back down to the size you would have cut them if you had been traditional piecing. So, if you need to fix the order, pick out the seams, rearrange the diamonds, and sew the pieces back together.

**Step 2:** Position Row 2 onto the top of Row 1, with strips facing right-sides-together. Row 1 is placed on the bottom and Row 2 on the top. Match and pin each intersection where the sew lines cross on your foundation paper.



**Step 3:** Once the pieces are pinned together, remove the foundation papers from under the diamond sections on Row-1 without disturbing the pins.

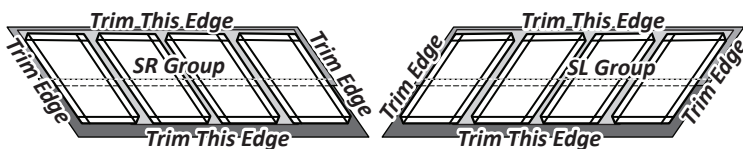
**Step 4:** At your machine, place Row 1 on the bottom next to the feed dogs, leaving Row 2 on top. Both strips are sewn together using the quarter-inch line on the paper as a guide for stitching.

**Step 5:** Remove the foundation papers from under Row 2 and press the seams toward Row 2.

## PART 2: TRIMMING & CUTTING PAPERS

**Step 1:** When the piecing is finished, the excess fabric and paper is trimmed off along the exterior edges on each foundation sheet.

**Step 2:** There are two solid lines printed around the perimeter of each Foundation Sheet. The outside line is the trim line.



**Step 3:** Finish trimming around the perimeter of each Foundation Unit. Trim away all the excess hatching around the edges. Then trim the smart corners.

