

16" Liberty Crown

Meadow Star Mixers JNQ16X16006

(4) 16" Squares

16" LIBERTY CROWN INSTRUCTIONS

Ziploc Storage Bags: You will need **(4)** bags to complete the organization for these instructions. Label the bags as follows to stay organized while cutting the Foundation Units and Templates.

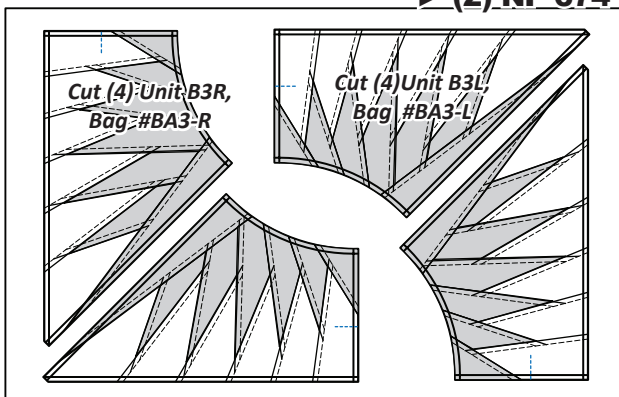
- Bag #BA1: **(8)** Unit B1 Papers, and Cutting Templates
- Bag #BA2: **(8)** Unit B2 Papers and Cutting Templates
- Bag #BA3-L: **(4)** Unit B3L Foundation Papers and Cutting Templates.
- Bag #BA3-R: **(4)** Unit B3R Foundation papers and Cutting Templates

► Preparing the Foundation Papers:

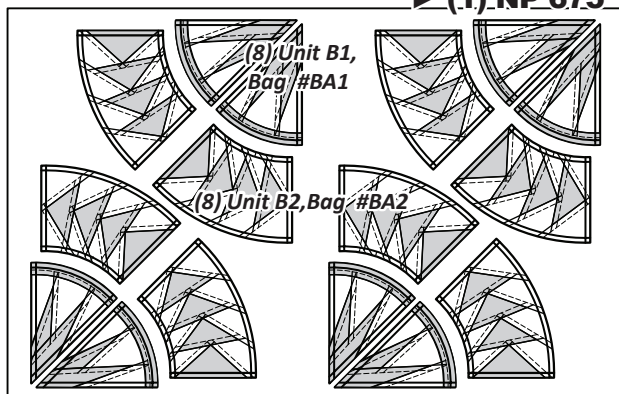
Foundation Papers: This booklet includes enough foundation papers to complete **(4)** 16" Liberty Crown squares. The foundation papers and templates for this pattern are printed on newsprint. Newsprint is lightweight and tears away from your stitches without damaging the threads. Please pull apart this package and check, at this time, to make sure your pattern includes all of the newsprint listed below.

Step 1: Cut out **(8)** Unit B1, and **(8)** each Unit B2 [NP 675], along with the associated cutting templates [TP 478 & 479]. Cut out **(4)** of Units B3L & B3R along with the cutting Templates [TP 478 & 479]. See the newsprint graphics that follow for information on how to organize your units and templates into bags. *Refer back to General Information for Foundation papers and templates for additional instructions on how to prepare your foundation papers and templates.

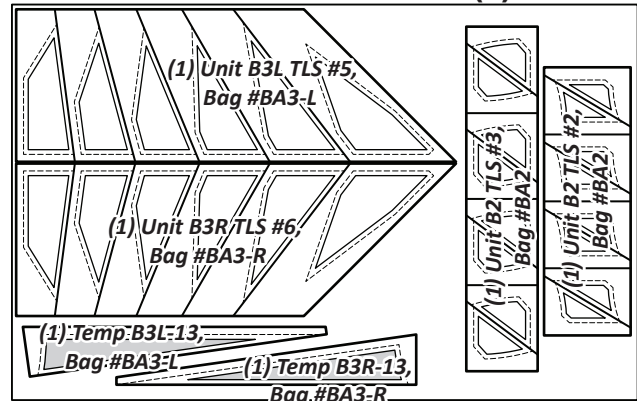
► (2) NP 674



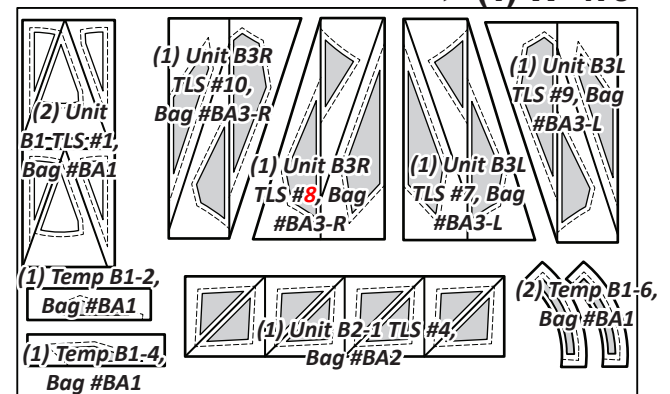
► (1) NP 675



► (1) TP 478



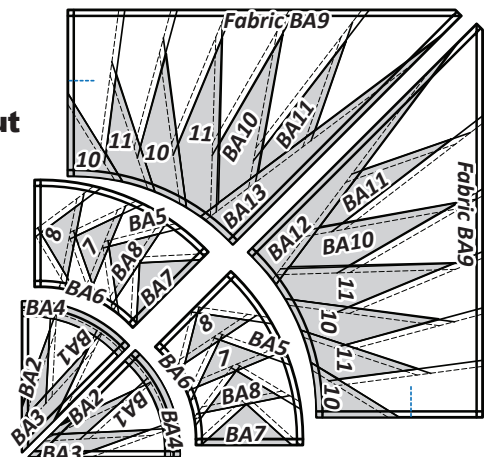
► (1) TP 479



► 16" Square Liberty Crown Fabric Information:

The *Unit Chart* that follows on the next page includes yardage, fabric numbers, and a reference to which fabrics go with the Templates and (TLS) to complete *Units B1, B2, and B3R/B3L*. A color layout, shown below, gives a visual reference to where the fabrics are located on each unit.

► Color Layout



NOTE - Why the Backside?: The backside quilt image matches up to the printed side of the foundation papers. When assigning your fabric references to the foundation paper and templates, match the fabric reference on the *Color Layout* to the printed side of the paper. Fabric swatches pasted to the foundation papers will help keep you organized when adding the fabric pieces to the foundation papers.