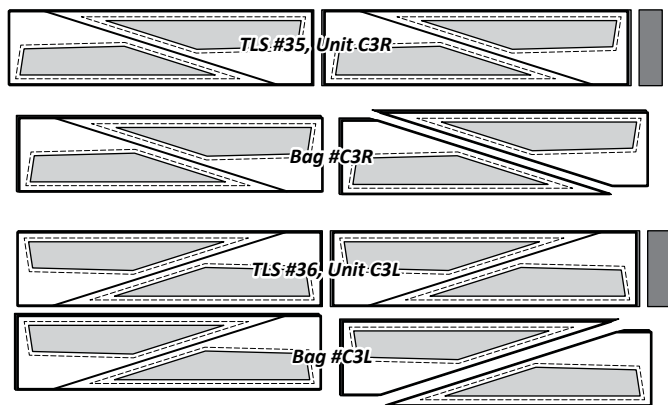
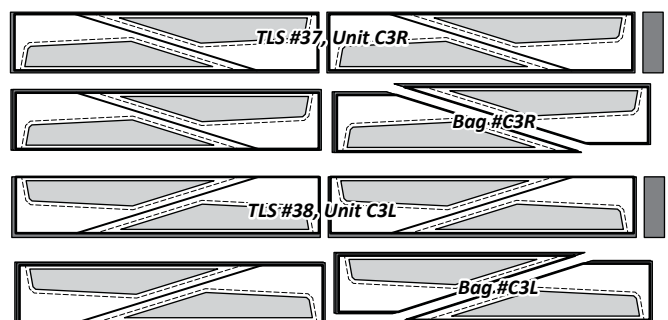


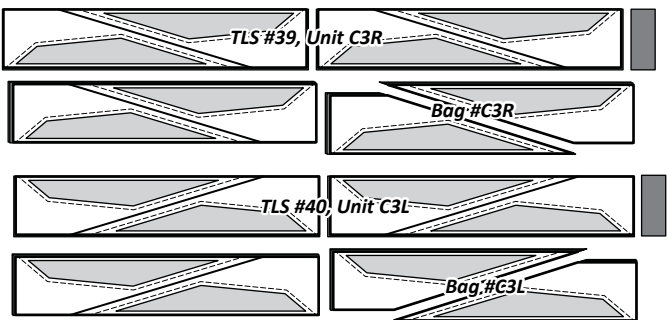
Step 16: Fabric C14, TLS #35 & TLS #36: Cut (2) 5" x 42" strips.



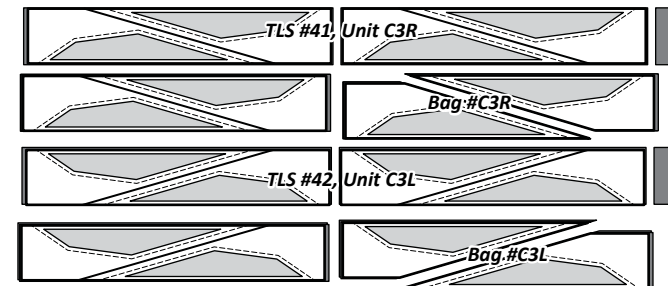
Step 17: Fabric C15, TLS #37 & TLS #38: Cut (2) 4" x 42" strips.



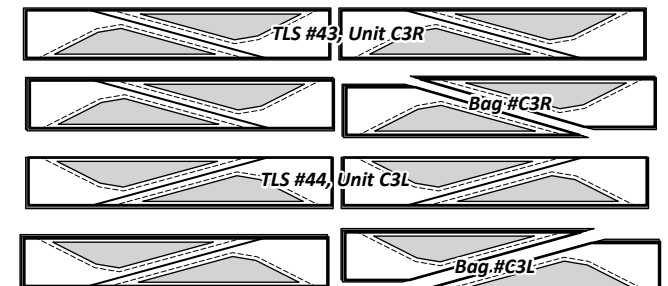
Step 18: Fabric C16, TLS #39 & TLS #40: Cut (2) 4" x 42" strips.



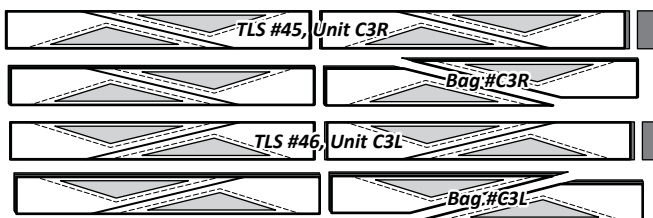
Step 19: Fabric C17, TLS #41 & TLS #42: Cut (2) 3-3/4" x 42" strips.



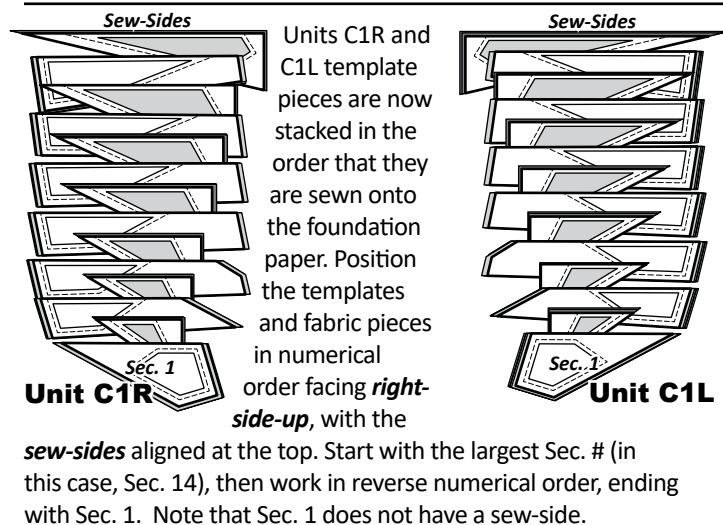
Step 20: Fabric C18, TLS #43 & TLS #44: Cut (2) 3-1/4" x 42" strips.



Step 21: Fabric C19, TLS #45 & TLS #46: Cut (2) 2-1/2" x 42" strips.



STACKING: UNITS C1R AND C1L, BAG #C1R AND #C1L



FOUNDATION PAPER PIECING: UNIT C1L, BAG #C1L

NOTE - Tracing the Dashed Lines: Place the foundation paper onto a light table. Flip the foundation paper over and trace the dashed lines printed on the front side of the foundation paper, onto the backside of the paper.

