

Step 3: Take the *T-Template DR & DL* and fabric pieces to your machine. Remove the thread and place the T-Templates on top of each of the (8) fabric pieces that go with the specific T-Template, one at a time. Use the needle to hole punch along the length of each basting stitch. Then, replace the thread, set the stitch length on the machine to 2.8, and sew in each basting stitch.

Step 4: Trim the threads on each T-Template. Then, clip them together with the T-Template on top and place them back into Bag #D4.

► **Fabric D3 (Unit D1L and D1R, D2L and D2R, D3L and D3R Background TLS)**

Step 1: Cut and stack (2) 47-1/2" by 42" strips facing *right-side-up*.

Step 2: Subcut the strips into the following and pair with the identified Template Layout Sheets:

- (2) 7-1/2" x 42" Strips: **Unit D3L & D3R** Background TLS
- (2) 13-1/2" x 42" Strips: **Unit D2L & D2R** Background TLS
- (2) 26-1/2" x 42" Strips: **Unit D1L & D1R** Background TLS

Step 3: Stack the 7-1/2" x 42" strips *right-side-up*, then use the *Unit D3L Background TLS and Unit D3R Background TLS* to cut (4) pieces of each the size of the Templates by placing them as shown below.

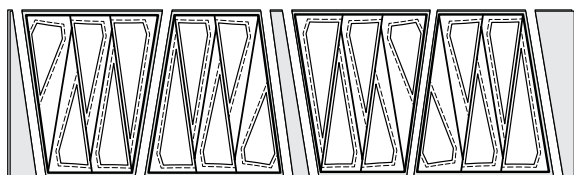


Step 4: Restack the pieces into one stack, then place the TLS on top. Cut apart the template and the fabric beneath by cutting on the Cut Lines, in order, until all of the pieces are cut apart.



Step 5: Clip the Templates and pieces beneath together and place the D3L pieces into Bag #D3L and D3R pieces into Bag #D3R.

Step 6: Stack the 13-1/2" x 42" strips *right-side-up*, then use the *Unit D2L Background TLS and Unit D2R Background TLS* to cut (4) pieces of each the size of the Templates by placing them as shown below.

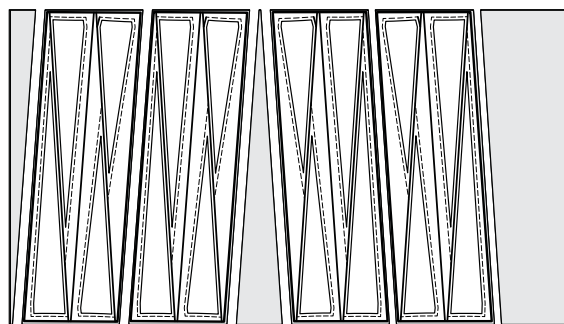


Step 7: Restack the pieces into one stack, then place the TLS on top. Cut apart the template and the fabric beneath by cutting on the Cut Lines, in order, until all of the pieces are cut apart.

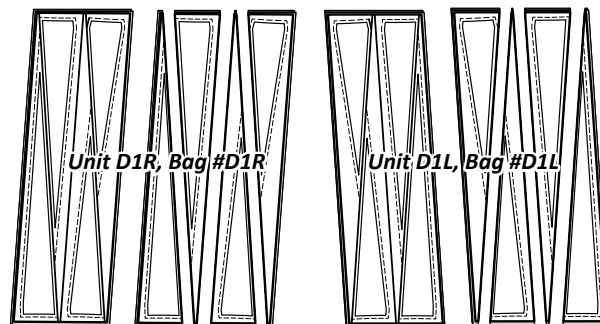


Step 8: Clip the Templates and pieces beneath together and place the D2L pieces into Bag #D2L and D2R pieces into Bag #D2R.

Step 9: Stack the 26-1/2" x 42" strips *right-side-up*, then use the *Unit D1L Background TLS and Unit D1R Background TLS* to cut (4) pieces of each the size of the Templates by placing them as shown below.



Step 10: Restack the pieces into one stack, then place the TLS on top. Cut apart the template and the fabric beneath by cutting on the Cut Lines, in order, until all of the pieces are cut apart.



Step 11: Clip the Templates and pieces beneath together and place the D1L pieces into Bag #D1L and D1R pieces into Bag #D1R.

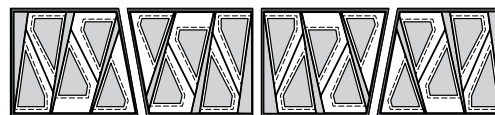
► **Fabric D4 (Unit D1L and D1R, D2L and D2R, D3L and D3R Accent TLS)**

Step 1: Cut and stack (2) 76-3/4" by 42" strips facing *right-side-up*.

Step 2: Subcut the strips into the following and pair with the identified Template Layout Sheets:

- (2) 9-3/4" x 42" Strips: **Unit D3L & D3R** Accent TLS
- (4) 13" x 42" Strips: **Unit D2L & D2R** Accent TLS
- (4) 20-1/2" x 42" Strips: **Unit D1L & D1R** Accent TLS

Step 3: Stack the 9-3/4" x 42" strips *right-side-up*, then use the *Unit D3L Accent TLS and Unit D3R Accent TLS* to cut (4) pieces of each the size of the Templates by placing them as shown below.



Step 4: Restack the pieces into one stack, then place the TLS on top. Cut apart the template and the fabric beneath by cutting on the Cut Lines, in order, until all of the pieces are cut apart.

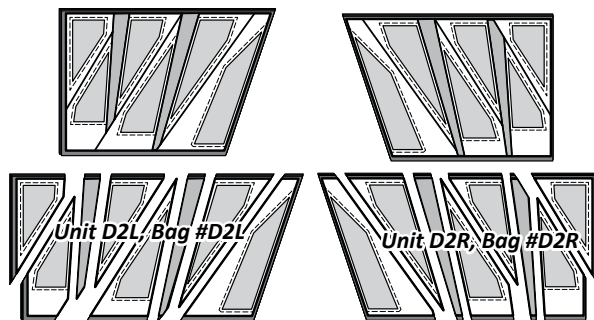


Step 5: Clip the Templates and pieces beneath together and place the D3L pieces into Bag #D3L and D3R pieces into Bag #D3R.

Step 6: Stack the 13" x 42" strips *right-side-up*, then use the *Unit D2L Accent TLS* and *Unit D2R Accent TLS* to **cut (4) pieces** of each the size of the Templates by placing them as shown below.

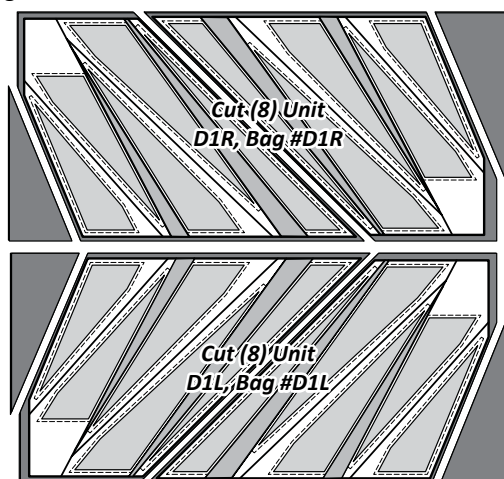


Step 7: Restack the pieces into one stack, then place the TLS on top. Cut apart the template and the fabric beneath by cutting on the Cut Lines, in order, until all of the pieces are cut apart.

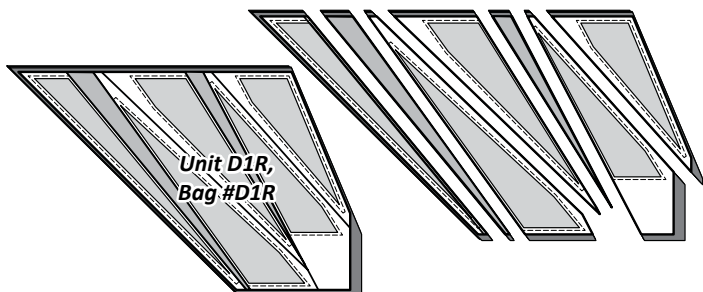


Step 8: Clip the Templates and pieces beneath together and place the D2L pieces into Bag #D2L and D2R pieces into Bag #D2R.

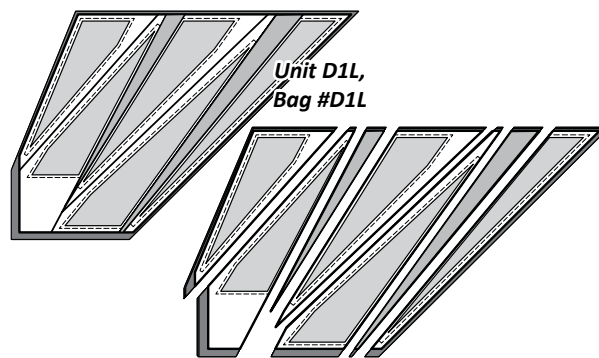
Step 9: Stack the 20-1/2" x 42" strips *right-side-up* into (2) stacks of (2) as shown, then use the *Unit D1L Accent TLS* and *Unit D1R Accent TLS* to **cut (4) pieces** of each the size of the Templates by placing them as shown below.



Step 10: Restack the pieces into one stack, then place the TLS on top. Cut apart the template and the fabric beneath by cutting on the Cut Lines, in order, until all of the pieces are cut apart.



Step 11: Clip the Templates and pieces beneath together and place the D1L pieces into Bag #D1L and D1R pieces into Bag #D1R.

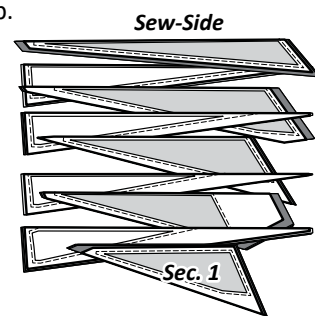


STACKING: BAG #D1L, UNIT D1L

Sort the pieces in numerical order. Pay attention to the fabric colors for the accent templates. There are (8) pieces clipped to each template. Position the templates and fabric pieces facing *right-side-up*, with the *sew-sides* aligned at the top. Sec. 1 does not have a sew side.

Stacking Order

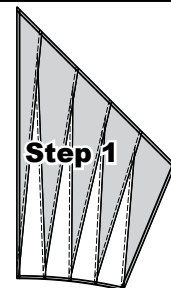
The stacking process begins with Sec. 10 on the bottom. The pieces are then stacked in reverse order finishing with Sec. 1 on top as shown.



FOUNDATION PAPER PIECING, BAG D1L

Step 1: Place Unit D1L *right-side-up* onto your table and position as shown.

NOTE - Tracing the Dashed Lines: Place the foundation paper onto a light table. Flip the foundation paper over and trace the dashed lines printed on the front side of the foundation paper.



Step 2: Find Sec. 1 on the foundation paper. Place a small amount of fabric glue on the *backside* of the paper under Sec. 1.

Step 3: Position the first piece of fabric for Sec. 1 *wrong-side-up* on your table. Lift the foundation paper, slide the fabric under Sec. 1 and glue the first piece of fabric to the backside of the paper. Step 3 is repeated for each unit before moving onto Step 4.

NOTE - Fabric Placement: The *wrong-side* of the fabric is against the backside of the paper.

Step 4: Place the fold template over the top of Sec. 1, lining the edge up on the solid black line marked Line 1. Fold the paper back over the top of the fold template.

Step 5: Place the *Add-A-Quarter* ruler next to the folded back section lip-side down and trim the fabric with your rotary cutter. This leaves you with a quarter-inch seam allowance which, is lined up with the sew side on the next

