

UNITS D6 AND E6: POCKET POSIES INSTRUCTIONS

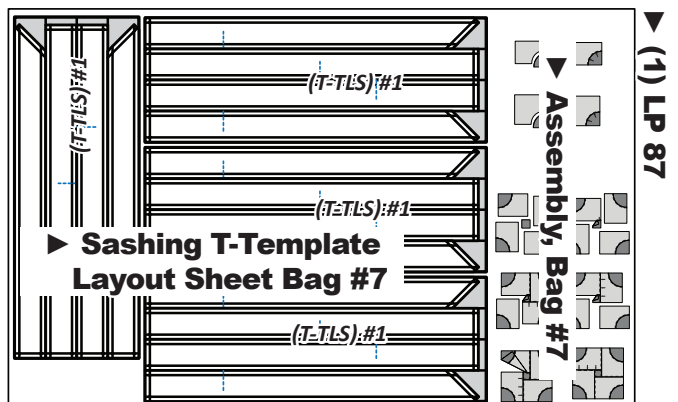
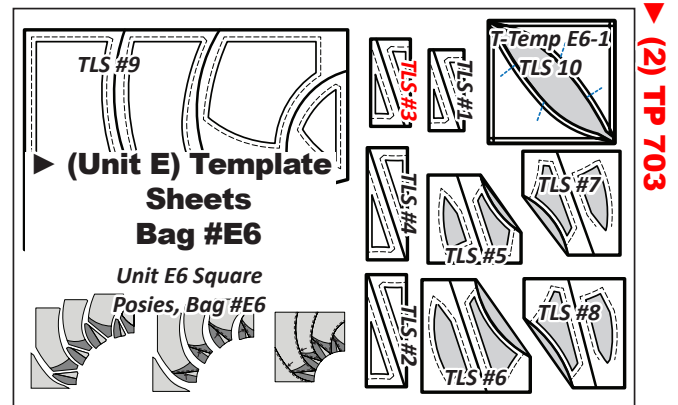
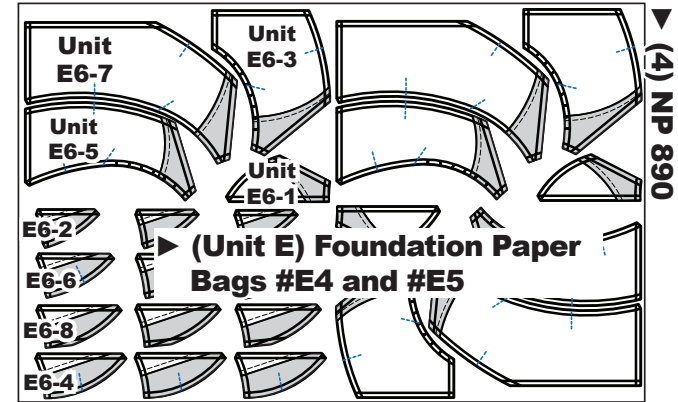
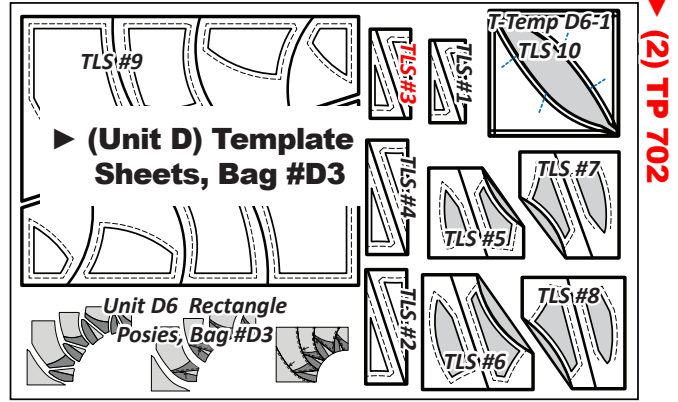
Ziploc Storage Bags: You will need (7) bags to complete the organization for these blocks. You will be working with two Color Groups for each Unit referenced as (CG:a & CG:b). Label the bag as follows to stay organized while cutting out the Foundation Units and Templates. This package includes (24) Foundation Papers for Unit D6 and (12) Foundation Papers for Unit E6.

- Bag #D1: (CG:A): (12) ea. Units D6: 1-8 Foundation Papers
- Bag #D2: (CG:B): (12) ea. Units D6: 1-8 Foundation Papers
- Template Bag #D3: Unit D6: Template Layout Sheets #s (1-10)
- Bag #E4: (CG:A): (8) ea. Units E6: 1-8 Foundation Papers
- Bag #E5: (CG:B): (4) ea. Units E6: 1-8 Foundation Papers
- Template Bag #E6: Unit E6: Template Layout Sheets #s (1-10)
- Template Bag #7: (4) Sashing, T-Template Layout Sheet #1

► Preparing Foundation Papers & Templates:

- Cut out (24) ea. Units D6-1 to D6-8 Foundation Papers [NP 889]. (12) papers are placed in each Bag #D1 & D2.
- Unit D6 (TLS's) 1-10 and the assembly graphics are placed in Template Bag #D3.
- Cut out (12) ea. Units E6-1 to E6-8 Foundation Papers [NP 890]. (8) papers are placed in Bag #E4 and (4) papers are placed in Bag #E5.
- Unit E6 (TLS's) 1-10 and assembly graphics are placed in Template Bag #E6.
- Cut out (4) Sashing (T-TLS) #1 and place in Template Bag #7 along with Block Assembly Graphics.

After the cutting instructions are completed, the individual Sec. Temp's and fabric pieces are sorted and placed into their assigned bags #s along with their associated foundation papers. See the newsprint below for assigned Unit and Template names. *Refer back to General Information under Foundation Papers and Templates for instructions on how to prepare your foundation papers and templates.



CORRECTION: TP 702 and 703, TLS #3 Change the Cut Size to 2-1/4" x 42"

