

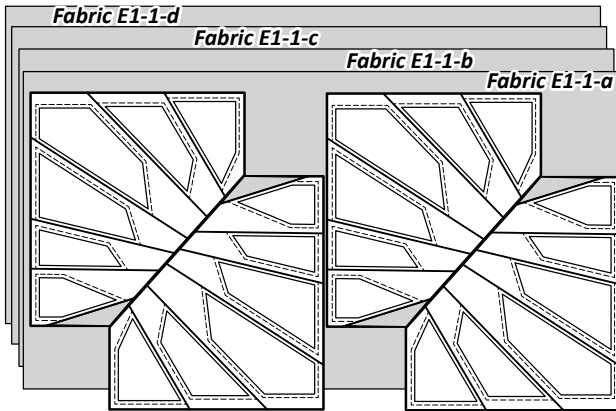
# GROUP E1: CUTTING INSTRUCTIONS

## MULTIPOLE COLOR OPTION: 14 BLOCKS

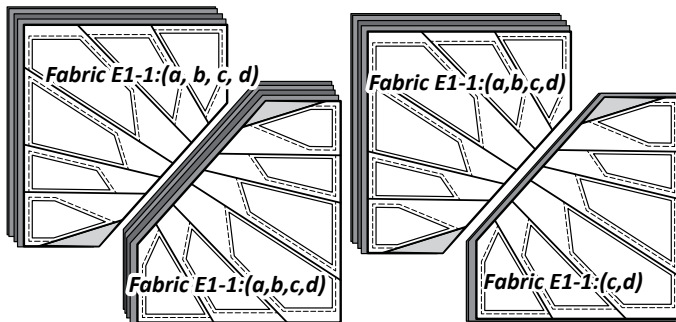
### ► Fabric E1: (a, b, c, d) (TLS #1)

One 22-1/2" by 42" strip yields (4) pieces matching the size and shape of (TLS #1). The 66" by 87" layout required fewer pieces.

**Step 1:** Cut (1) 22-1/2" by 42" strip from each of the (4) Fabrics E1:(a-d). The strips are paired and stacked in the order shown. Starting at the bottom, Fabric E1-1:d, 1:c, 1:b, & 1:a, facing *right-side-up*.

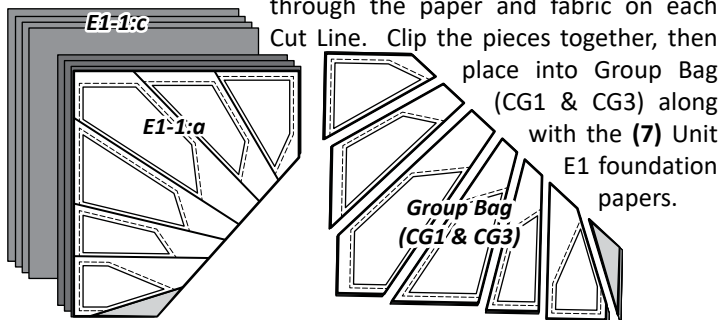


**Step 2:** Unit E1, Template Layout Sheet #1 is used to cut (3) pieces from ea. Fabric E1-1:a, and E1-1:b, and (4) pieces from Fabric E1-1:c and E1-1:d. To complete the cutting, cut (3) pieces from each of the (4) colors, then remove Fabric E1-1:a and E1-1:b from the top of your stack and cut (1) additional piece from each Fabric E1-1:c and E1-1:d.

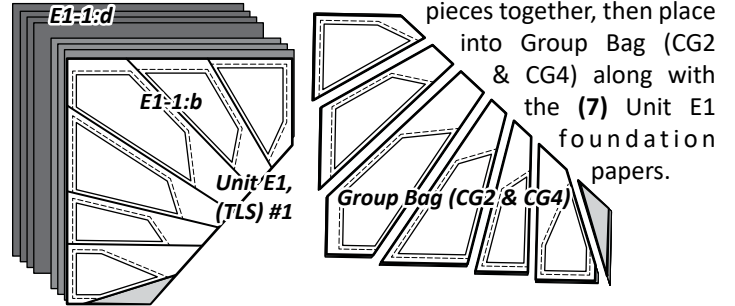


**Step 3:** The fabric pieces are now re-sorted, paired, and stacked into (2) groups.

**Group 1:** Stack (4) Fabric E1-1:c and (3) Fabric E1-1:a, template pieces, beneath one Unit E1, Template Layout Sheet #1. Slice through the paper and fabric on each Cut Line. Clip the pieces together, then place into Group Bag (CG1 & CG3) along with the (7) Unit E1 foundation papers.



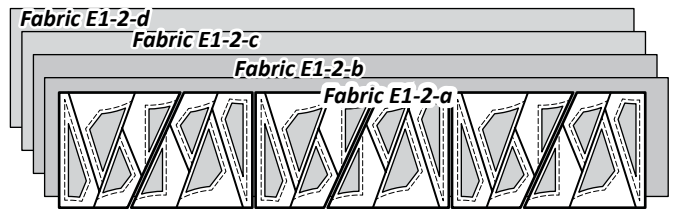
**Group 2:** Stack (2) Fabric E1-1:d and (3) Fabric E1-1:b, template pieces, beneath the other Unit E1, Template Layout Sheet #1. Slice through the paper and fabric on each Cut Line. Clip the pieces together, then place into Group Bag (CG2 & CG4) along with the (7) Unit E1 foundation papers.



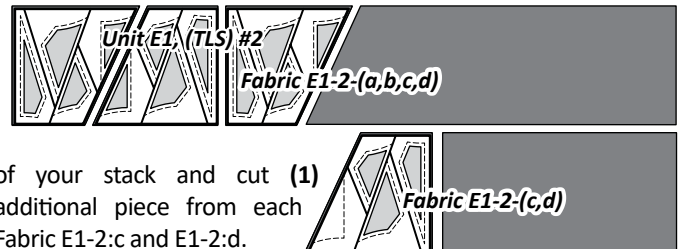
### ► Fabric E1-2: (a, b, c, d) (TLS #2)

One 8" by 42" strip yields (6) pieces matching the size and shape of (TLS #2). The 66" by 87" layout required fewer pieces.

**Step 1:** Cut (1) 8" by 42" strip from each of the (4) Fabric (a-d). The strips are stacked with, Fabric E1-2:d on the bottom, E1-2:a on top, facing *right-side-up*.



**Step 2:** Unit E1, Template Layout Sheet #2 is used to cut (3) pieces from ea. Fabric E1-2:a, and E1-2:b, and (4) pieces from Fabric E1-2:c and E1-2:d. To complete the cutting, cut (3) pieces from each of the (4) colors. Then remove Fabric E1-2:a and E1-2:b from the top



of your stack and cut (1) additional piece from each Fabric E1-2:c and E1-2:d.

**Step 3:** The fabric pieces are now sorted by color.

**Group 1:** Stack (4) Fabric E1-2:C, (bottom) and (3) Fabric E1-2:a pieces (top) beneath one Unit E1, Template Layout Sheet #2. Slice through the paper and fabric on each Cut Line. Clip the pieces together, then place into Group Bag (CG1 & CG3).



**Group 2:** Stack (4) Fabric E1-2:d, (bottom) and (3) Fabric E1-2:b pieces (top) beneath one Unit E1, Template Layout Sheet #2. Slice through the paper and fabric on each Cut Line. Clip the pieces together, then place into Group Bag (CG2 & CG4).

