

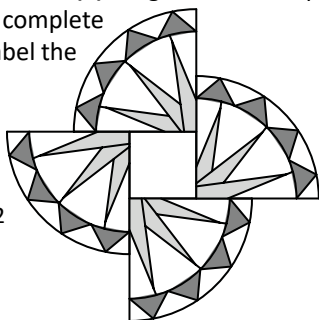
Crowned Star

4th of July JNQ00275-B-001

GROUP B1: CROWNED STAR INSTRUCTIONS

Ziploc Storage Bags: You will need (1) Large Block Group Bag and (2) smaller unit bags to complete the organization for these blocks. Label the bags as follows.

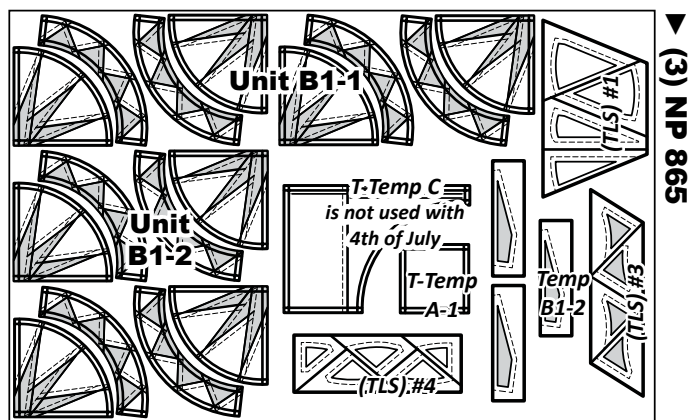
- **Block Group Bag B1:**
- **Unit Bag B1-1: (24)** Unit B1-1 Foundation Papers
- **Unit Bag B1-2: (24)** Unit B1-2 Foundation Papers.



► Preparing Foundation Papers & Templates:

Cut out (24) ea. Unit B1-1, and Unit B1-2, [NP 865]. The Templates and Template Layout Sheets (TLS) are placed in Block Group Bag B1. After the fabric has been cut, the individual Sec. Temp's and (TLS) are placed into the assigned bags with their associated foundation papers. See the newsprint graphics that follow for information on how to organize your units and templates into bags. *Refer back to General Information under Foundation Papers and Templates for instructions on how to prepare your foundation papers and templates.

NOTE - T-Template C is not used in the '4th of July' quilt layout. Therefore, fabric and cutting instructions have not been included with these instructions.



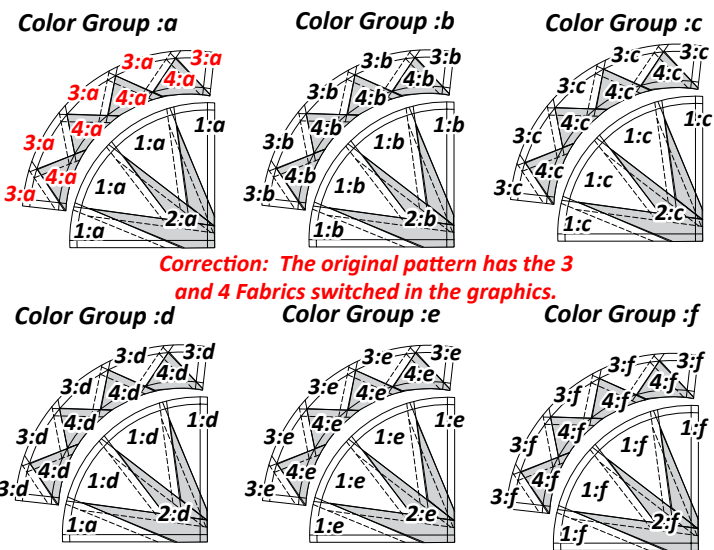
► Crowned Star Fabric Information:

The *Unit Chart* at the bottom of the page includes yardage, fabric numbers, and a reference to the Fabrics # assigned to the Templates and (TLS) for **Units B1-1 and B1-2**. The Fabric Chart includes a reference to (4) Fabric #s, B1-1, B1-2, B1-3 & B1-4. Each Fabric # is assigned to (6) different colors identified with the letters (a, b, c, d, e, & f). Example; Fabric B1-1:a, B1-1:b, B1-1:c and etc. The yardage included for each color is calculated to complete (4) blocks in each Color Group. A visual reference to the location of each Fabric is shown below in the Color Layout.

► (6) Color Group Layouts:

Fabrics: Choose (6) Background Colors and (6) Spike Colors for both Units B1-1 and B1-2. (4) blocks are made with ea. Color Group.

NOTE - Back side Graphic: The color layout shown matches the printed side of the paper, which is the back side of the quilt. Fabrics #s B1-1, through B1-4 are repeated on each block. (6) colors referenced as (a, b, c, d, e, f) are assigned to each fabric #.



Units B1-1: Unit B1-2: Make (4) blocks from each Color Group for a total of (24) units

GROUP-B1 FABRIC #	YARDAGE INCH	FABRIC (A)	FABRIC (B)	FABRIC (C)	FABRIC (D)	FABRIC (E)	FABRIC (F)
<u>Fabric A1-1:</u> T-Temp A1	1/8 yd or (3-3/4')						
<u>Fabric B1-1: (a - f) Bkg.</u> Unit B1-1 (TLS) #1	1/4 yd or (5-1/2"), ea.	B1-1:a Navy	B1-1:b Grape	B1-1:c Galaxy	B1-1:d Peacock	B1-1:e Emerald	B1-1:f 4932-Night
<u>Fabric B1-2: (a - f) Spikes</u> Unit B1-1 (Temp B1-2)	1/8 yd or (4"), ea.	B1-2:a Beach	B1-2:b Yellow	B1-2:c Pink	B1-2:d Mint	B1-2:e Neon	B1-2:f Cantaloupe
<u>Fabric B1-3: (a - f) Bkg.</u> Unit B1-1 (TLS) #3	1/8 yd or (3"), ea.	B1-3:a Navy	B1-3:b Grape	B1-3:c Galaxy	B1-3:d Peacock	B1-3:e Emerald	B1-3:f 4932-Night
<u>Fabric B1-4: (a - f) Spikes</u> Unit B1-1 (TLS) #4	1/8 yd or (3"), ea.	B1-4:a Beach	B1-4:b Yellow	B1-4:c Pink	B1-4:d Mint	B1-4:e Neon	B1-4:f Cantaloupe