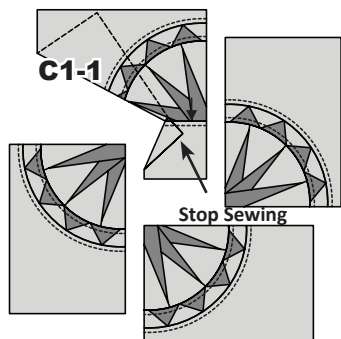
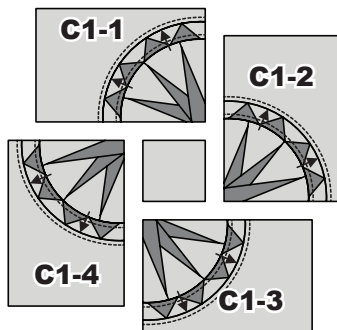


BLOCK GROUP C ASSEMBLY GRAPHICS:

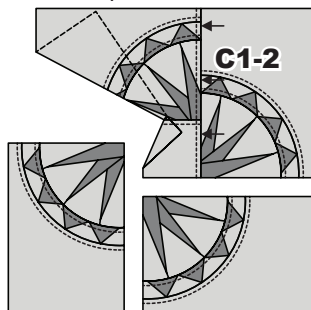
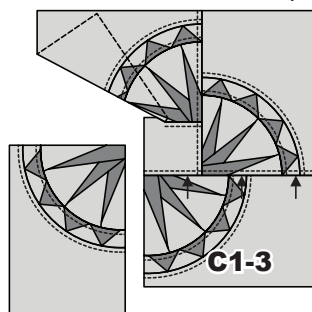
This section of Assembly graphics on LP 74 includes the steps for sewing around the 3-3/4" square, including pressing arrows. The seams are pressed in the same direction the arrows are pointing. Blocks C1-1 thru C1-4 are sewn clockwise around the square.

Assembly Graphic 1: Block Layout.



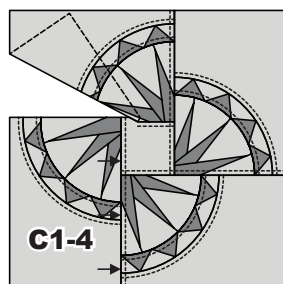
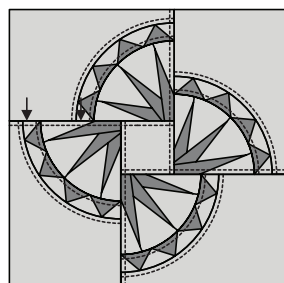
Assembly Graphic 2: Join the 1st C1 Block Group C1-1 to the 3-3/4" square. A half seam is used to join the two pieces. Start at the corner of each square, sew into the center about 1-1/2" leaving the second half of the square un-sewn. Press seam towards the square.

Assembly Graphic 3: Sew Block Group C1-2 to Block Group C1-1. Press seam towards the square.



Assembly Graphic 4: Sew Block Group C1-3 to Block Group C1-2. Press seam towards the square.

Assembly Graphic 5: Sew Block Group C1-4 to Block Group C1-3. Press seam towards the square.



Assembly Graphic 6: The last seam is sewn to complete the block. Press seam towards the square.

QUILT ASSEMBLY

Please reference the larger assembly graphics on LP 74 to complete your quilt. The Blocks are joined into rows, then the rows are joined to complete the quilt.

Assembly Graphic 1: Shows an exploded view of the block layout.

Assembly Graphic 2: Shows another exploded view with some additional pressing arrows. I want to bring your attention to these pressing arrows. Note: That when you completed the

curved piecing, all the seams were pressed facing out towards Block Groups C1, D1, and E1. Leaving the seams press out will leave you with stacked seams when joining the block groups. Stacked seams are harder to match and do cause extra bulk where the curved seam join. The arrows provide on Assembly Graphic 2 are repress seams. If you repress the seams shown you will have opposing seams where all the curved units join in the assembly process. This will reduce your efforts when you join all the blocks.

Assembly Graphic 3: Sewing the border block groups and pressing arrows.

Assembly Graphics 4: Sewing the columns, including pressing arrows.

Assembly Graphic 5: Sewing the final seams and pressing arrows. As you complete these steps, flip the quilt over and pay attention to the seams at each intersection. There will be several where you clip back some seams and press in a small 4-patch to get them to lay down. Don't be afraid to spend time on this. The easier the quilt lies down, the happy your quilter will be!

YARDAGE FOR BACKING:

You will need (2) 96" lengths (how much excess to leave on each side is personal preference, but we aim for 6" to 8" around the perimeter) for the backing of your quilt for a total of 5-3/8 yards. Quiltworx.com recommends Hobbs 80/20 (full size) batting on a roll or similar to get a nice, thin, but flexible finish to the quilt.

YARDAGE BY BLOCK GROUP

On the back page of each individual booklet for the different block types used in this quilt, there is a yardage chart for that specific group of blocks. If you are kitting this project, it is recommended to cut the fabrics by these tables to make it easier for the customer to make sure they are sewing their fabrics into the quilt properly.

QUILTING DESIGNS

Quiltworx.com does not have digitized quilting designs for the blocks in 4th of July. It is recommend that a nice overall design be used to quilt our block quilts.

DOUBLE FOLDED BINDING INFORMATION

After the quilt top has been quilted, you can add the binding. Quiltworx.com recommends a 2-1/2" strip, ironed in half, lengthwise, then sewn to the front of the quilt and hand stitched down to the back side. The 66" x 87" layout requires (9) strips, for a total yardage of 22-1/2". We recommend rounding up to 3/4 of a yard of fabric.

INCREASING THE SIZE

Expanding your 4th of July can be accomplished by purchasing a set of replacement papers to go to Queen, or replacement plus expansion, to get to various king layouts. There are fabric instructions for the Queen Expansion option listed on the main website as a .pdf download. For the King, please consider a Quiltster Subscription for your choice of size and determining your color layout. You may have extra blocks left over depending on the size you make. Feel free to use the assembly graphics as guides for how to create other project like pillows or table toppers..