

GROUP A: DAISY INSTRUCTIONS

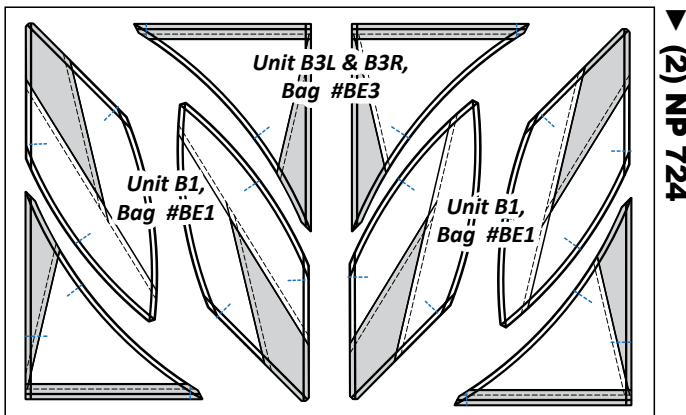
Ziploc Storage Bags: You will need (3) bags to complete the organization for these instructions. Label the bags as follows to stay organized while cutting the Foundation Units and Templates. The Templates and Template Layout Sheets are placed into bags after the cutting is complete with the fabric.

- Bag #BE1: (8) Unit B1 Foundation Papers, and all associated (TLS)
- Bag #BE2: (4) Unit B2L & B2R Foundation Papers, and all associated Templates (TLS) (See Note Below)*
- Bag #BE3: (4) Unit B3L & B3R Foundation Papers, and all associated (TLS)

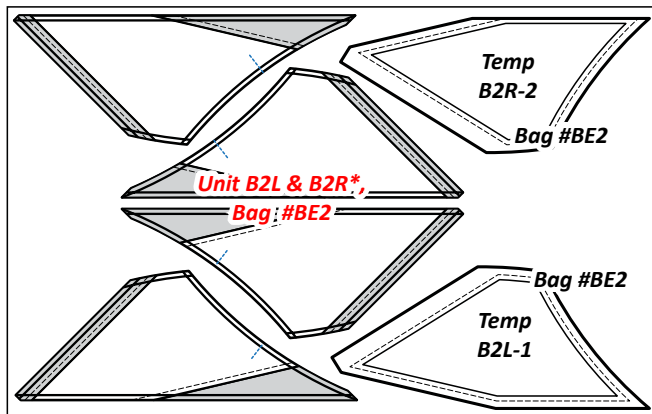
► Preparing the Foundation Papers:

Foundation Papers: This pattern includes enough foundation papers to complete (4) 16" squares that when assembled, complete (1) 32" Daisy Block.

Step 1: Cut out (8) Unit B1, and (4) each Unit B2L & B2R & (4) each Unit B3L & B3R [NP 724 & 725]. See the newsprint graphics that follow for information on how to organize your units and templates into bags. *Refer back to General Information for Foundation Papers and Templates for additional instructions on how to prepare your foundation papers and templates.

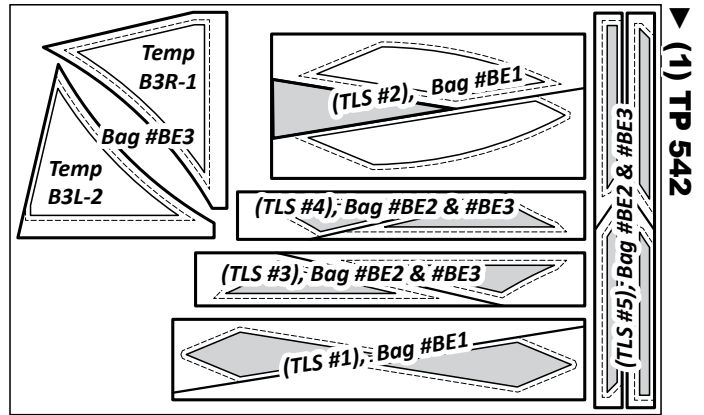


► (2) NP 724



► (2) NP 725

NOTE - *Units B2L and B2R: There are also Units labeled as B2L and B2R in the wrought Iron Fence Border Group. We apologize for not catching this before publication. You can keep these organized by labeling the papers on NP 729 with an extra BE since this is the BE Group if you think you might not be able to keep these straight.



NOTE - You will need to reposition the templates for each cut in the cutting process, as we have only provided (1) of each template per booklet. Repositionable glue applied to the backside of the template holds the template in position during the cutting process.

► Daisy Fabric Information:

The Unit Chart includes, fabric numbers, and a reference to which fabrics go with the Templates and (TLS) for Units B1, B2, and B3. This table is your guide for not only selecting your own colors, but keeping you organized. Don't forget to cut a swatch of your chosen fabric to paste in the boxes in the Assigned Color column!

Units B1-B3 Yardage, Make (8) Unit B1, Make (4) each Unit B2L, B2R, B3L, B3R

GROUP-BE FABRIC #	YARDAGE INCH	ASSIGNED COLOR
Fabric BE1 Unit B1 (TLS #2)	1/2 yd or (16")	Fabric Swatch
Fabric BE2 Unit B1 (TLS #2)	1/2 yd or (16")	Fabric Swatch
Fabric BE3 Unit B1 (TLS #1)	1/8 yd or (4-1/2")	Fabric Swatch
Fabric BE4 Unit B1 (TLS #1)	1/8 yd or (4-1/2")	Fabric Swatch
Fabric BE5 Units B2R, B2L, B3R, B3L Temp B2L-1, B2R-2, B3L-2, B3R-1	1 yd or (34")	Fabric Swatch
Fabric BE6 Unit B2L, & B3R (TLS #4)	1/4 yd or (5")	Fabric Swatch
Fabric BE7 Unit B2R & B3L (TLS #3)	1/4 yd or (6")	Fabric Swatch
Fabric BE8 Unit B2L & B3L (TLS #5) Unit B2R & B3R (TLS #6)	1/4 yd or (6")	Fabric Swatch

Fabric Color Layout: The Color Layout for Group BE has been provided to help you match up the fabric numbers with the assigned Units and T-Templates on the yardage charts.