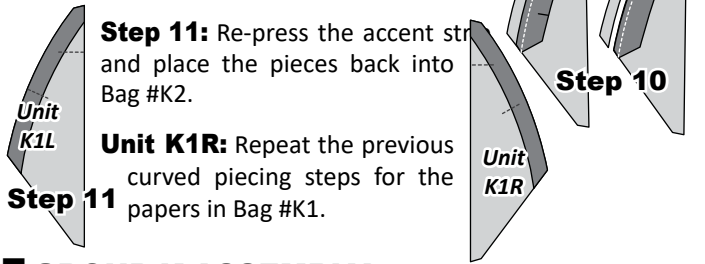


**Step 10:** Fold the fabric for [Sec. 2] back over [Sec. 1] on your foundation unit. Trim off the excess fabric along the inside edge of the basting stitches.



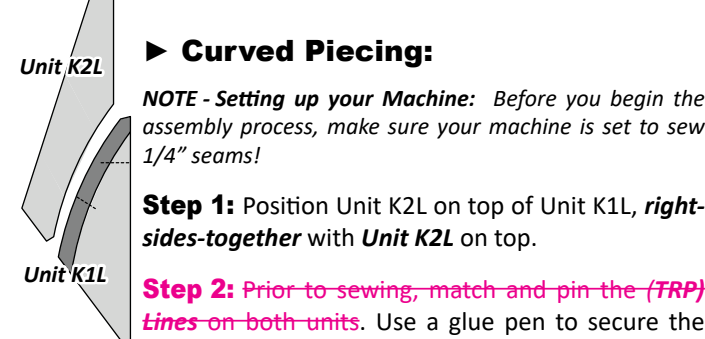
**Step 11:** Re-press the accent strip and place the pieces back into Bag #K2.

**Unit K1R:** Repeat the previous curved piecing steps for the papers in Bag #K1.

**GROUP K ASSEMBLY**

**Removing Paper:** It is recommended that you only remove the foundation paper from each Unit just prior to joining it to another block or block group. Some elements do not require you to remove the paper until you are ready to assemble the whole quilt project, while other elements are joined at this time to complete the block group that you are working on. It is important that you read forward before sewing any of the block groups together.

**Registration Lines:** If you did not sew your *Registration Lines* you will need to complete them before you remove the paper.

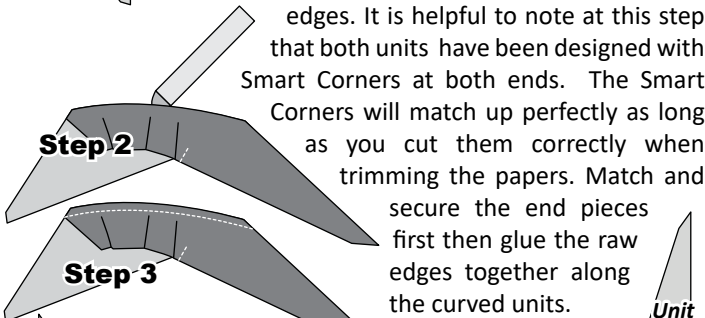


**Curved Piecing:**

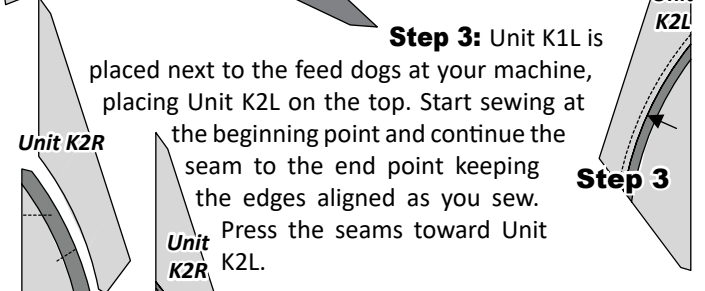
**NOTE - Setting up your Machine:** Before you begin the assembly process, make sure your machine is set to sew 1/4" seams!

**Step 1:** Position Unit K2L on top of Unit K1L, *right-sides-together* with Unit K2L on top.

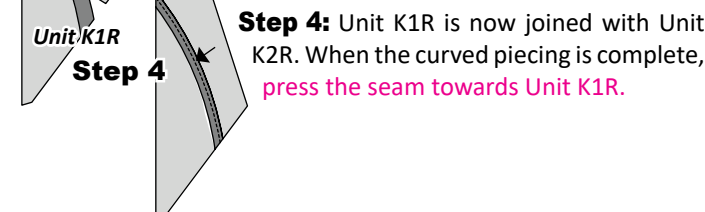
**Step 2:** Prior to sewing, match and pin the (TRP) *Lines on both units*. Use a glue pen to secure the edges. It is helpful to note at this step that both units have been designed with Smart Corners at both ends. The Smart Corners will match up perfectly as long as you cut them correctly when trimming the papers. Match and secure the end pieces first then glue the raw edges together along the curved units.



**Step 3:** Unit K1L is placed next to the feed dogs at your machine, placing Unit K2L on the top. Start sewing at the beginning point and continue the seam to the end point keeping the edges aligned as you sew. Press the seams toward Unit K2L.



**Step 4:** Unit K1R is now joined with Unit K2R. When the curved piecing is complete, *press the seam towards Unit K1R*.



**Finishing the Block**

To avoid Y-seams in the assembly process, the Star Units are **NOT** joined at this time. The pieces are set aside until all the piecing is completed for the remaining groups in your mixer pattern.

**GROUP L CRYSTAL JADE INSTRUCTIONS**

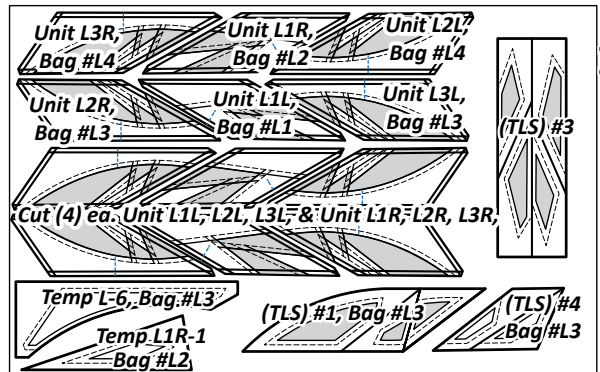
**Ziploc Storage Bags:** You will need (4) bags to complete the organization for these instructions. Label the bags as follows to stay organized while cutting the Foundation Units and Templates.

- Bag #L1: (4) Unit L1L Papers and assoc. Templates.
- Bag #L2: (4) Unit L1R Papers and assoc. Templates
- Bag #L3: (4) Unit L2R & L3L Papers and assoc. Templates
- Bag #L4: (4) Unit L2L & L3R Papers and assoc. Templates

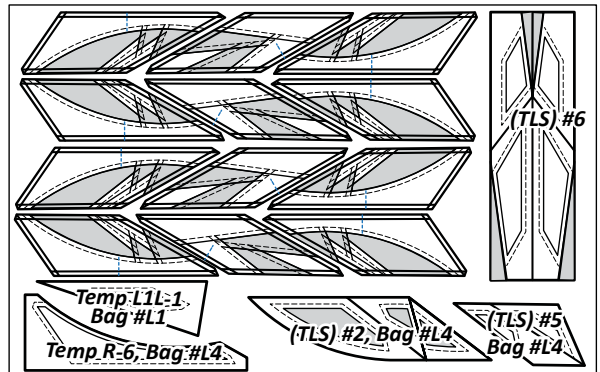
**Preparing Foundation Papers & Templates:**

**Step 1:** Cut out (4) ea. of Units L1L, L1R, L2L, L2R, L3L, L3R on [NP 767 & NP 768]. The associated Template Layout Sheets (TLS) are cut out then placed in a temporary bag. After the fabric has been cut the individual Sec. Templates are sorted and placed into the assigned Bag #s with their associated foundation papers. See the newsprint graphics that follow for information on how to organize your units and templates into bags. \*Refer back to General Information for Foundation papers and templates for additional instructions on how to prepare your foundation papers and templates.

**NOTE - Reusing Templates:** Templates and (TLS) are repositioned on the cut strips to achieve the number of cuts required in the cutting Instructions. Please read carefully to ensure the correct # of pieces are stacked beneath each Template before cutting.



▶ (1) NP 767



▶ (1) NP 768

**Crystal Jade Fabric Information:**

The Unit Chart that follows includes yardage, fabric numbers, and a reference as to which fabrics go with the Unit Templates and (TLS). A color layout, shown after the chart, gives a visual reference to where the fabrics are located on each unit.