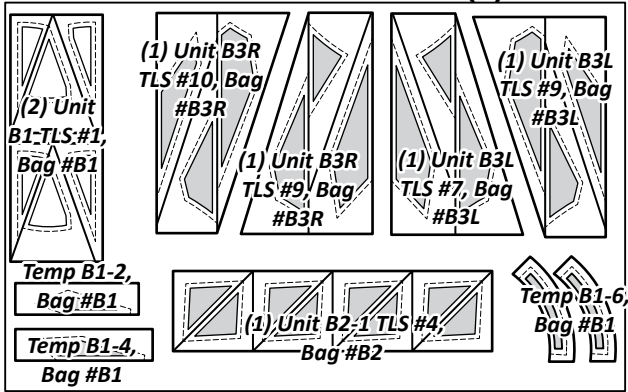


► (1) TP 479

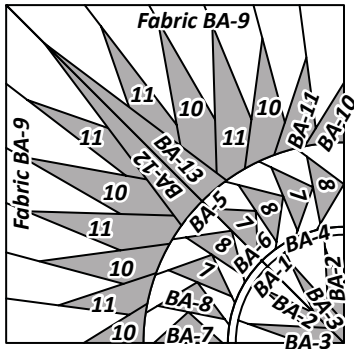


<b>Units B1, B2, &amp; B3R/B3L Yardage, Make (16) B1 &amp; B2 and (8) ea. B3L/B3R</b>		
GROUP-B FABRIC #	YARDAGE INCH	ASSIGNED COLOR
Fabric BA-1 Unit B1 TLS #1	3/8 yd or (11")	Fabric Swatch
Fabric BA-2 Unit B1 Temp B1-2	1/4 yd or (5-1/4")	Fabric Swatch
Fabric BA-3 Unit B1 Temp B1-4	1/4 yd or (7")	Fabric Swatch
Fabric BA-4 Unit B1 Temp B1-6	1/4 yd or (6")	Fabric Swatch
Fabric BA-5 Unit B2 TLS #3	1/2 yd or (15")	Fabric Swatch
Fabric BA-6 Unit B2 TLS #2	1/2 yd or (13-1/2")	Fabric Swatch
Fabric BA-7 Unit B2 TLS #4	3/8 yd or (9")	Fabric Swatch
Fabric BA-8 Unit B2 TLS #4	3/8 yd or (9")	Fabric Swatch
Fabric BA-9 Unit B3L/B3R TLS #5 & #6	1-7/8 yd or (64")	Fabric Swatch
Fabric BA-10 Unit B3L/B3R TLS #7 & #8	3/4 yd or (24")	Fabric Swatch
Fabric BA-11 Unit B3L/B3R TLS #9 & #10	3/4 yd or (24")	Fabric Swatch
Fabric BA-12 Unit B3R Temp B3R-13	1/4 yd or (6")	Fabric Swatch
Fabric BA-13 Unit B3L Temp B3L-13	1/4 yd or (6")	Fabric Swatch

► **16" Square Liberty Crown Fabric Information:**

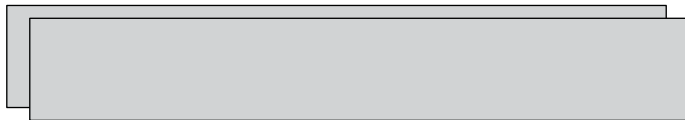
The table that follows includes yardage, fabric numbers, and a reference to which fabrics go with the Templates and (TLS) to complete Units B1, B2, and B3R/B3L. A color layout is shown below that gives a visual reference to where the fabrics are located on each unit. The image shown is from the Front Side of the block, which is the same view if you have colored your block in Quiltster. It is a mirror image of where the fabrics will be sewn when looking at the printed side of the Foundation Papers. This table is your guide for not only selecting your own colors, but keeping you organized. Don't forget to cut a swatch of your chosen fabric to paste in the box in the Assigned Colors column! This will help you stay organized!

► **Color Layout**

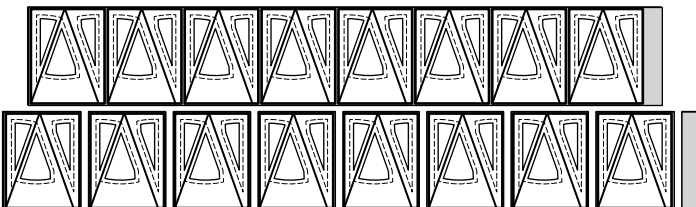


**Fabrics BA-1: (TLS #1) Unit B1**

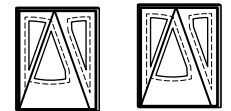
**Step 1:** Cut and stack (2) 5-1/2" by 42" strips facing right-side up.



**Step 2:** The Unit B1 TLS #1 is placed onto the strips as shown. Cut (16) pieces, matching the size and shape of the Template Layout Sheet.



**Step 3:** Eight (8) pieces are stacked under each Template Layout Sheet. A paper clip is used to clip each section to the fabric to keep the template pieces from moving in the cutting process.



**Step 4:** The cutting is completed by slicing through the paper on each cut line to separate the individual sections. Place the individual template pieces clipped to the fabric with the Unit B1 Foundation Papers in Bag #B1.



► **Fabrics BA-2: (Temp B1-2) Unit B1**

**Step 1:** Cut and stack (3) 1-3/4" by 42" strips facing right-side up from Fabric BA-2.

