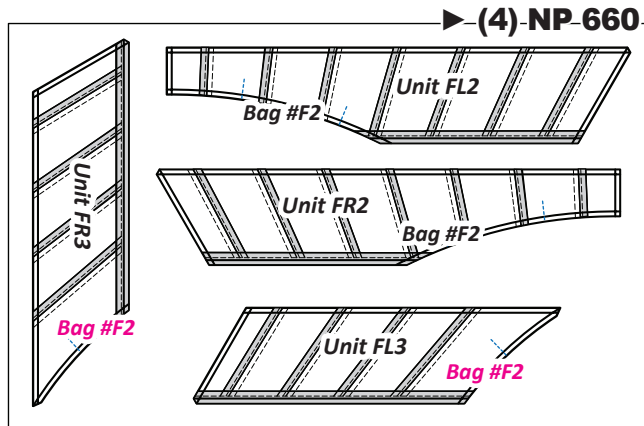
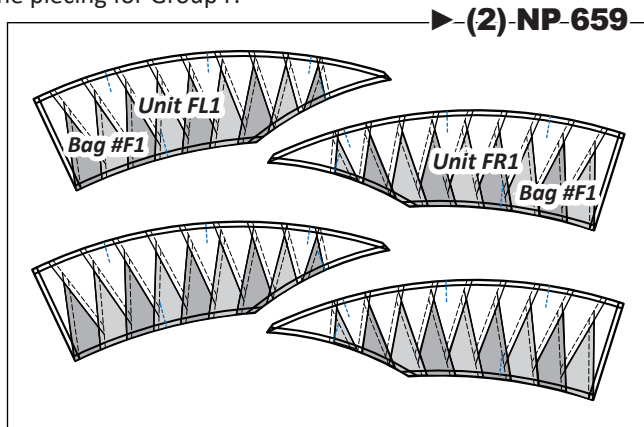


Booklet Two, Picket Fence, Wall Group F

Picket Fence: Includes the foundation papers, template layout sheets, and instructions needed to complete the Border Units:

- Units FL1, FR1, FL2, FR2, FL3, & FR3: Picket Fence Border

Newsprint NP 659, NP 660, TP 474, TP 475, & TP 476: The following newsprint includes the Foundation Papers, T-Templates, and Template Layout Sheets required to complete the piecing for Group F.

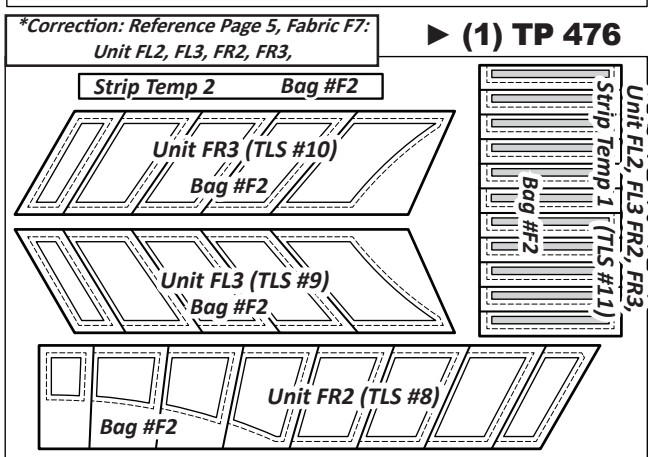
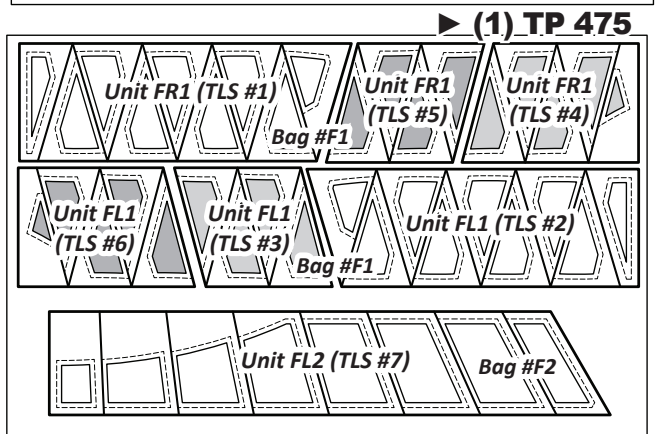
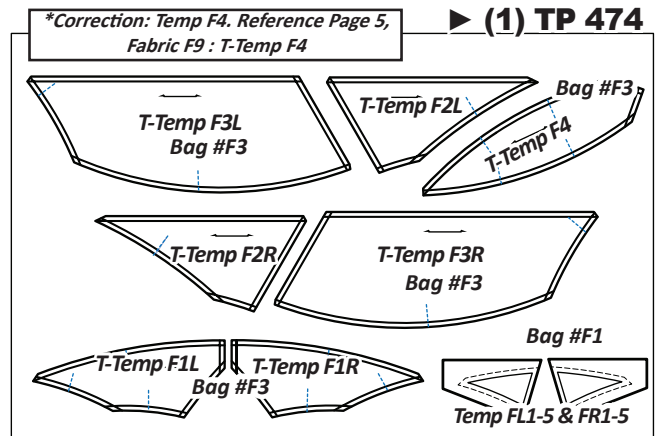


The Foundation Papers, Templates and Template Layout Sheets are cut out at this time. Reference Page 3 of the Introduction Booklet under ***Foundation Papers and Templates** for instructions on how to cut out the Foundation Papers, Templates, and Template Layout Sheets.

After the paper units and templates are cut out, the foundation papers are sorted and grouped together by **Unit Name** then placed into their associated bags listed below. The T-Templates and Template Layout Sheets are clipped together and placed in a separate bag. The sorting of all the templates in each group is completed after the templates are placed with their assigned fabrics and the template cutting is completed for each fabric.

Ziploc Bags: (4) large Ziploc bags are needed to keep your fabrics, templates, and papers organized. Label as follows:

- Bag #F1: (4) each Unit FL1 & FR1, and TLS #1 to #6.
- Bag #F2: (4) each Unit FL2, FL3, FR2, FR3, and TLS #7 to #11.



- Bag #F3: (1) each T-Temp F1L, F1R, F2L, F2R, F3L, F3R and F4.

Assigned Fabric #: We have assigned Fabric #s to each of the Sec. #s on the Foundation Units. These Fabric #s pair up with the Fabric #s in Quiltster and the Fabric Charts provided in the Introduction Booklet. These Fabric #s will also be used to reference the Templates and Template Layout Sheets used to cut the fabric pieces throughout these instructions.