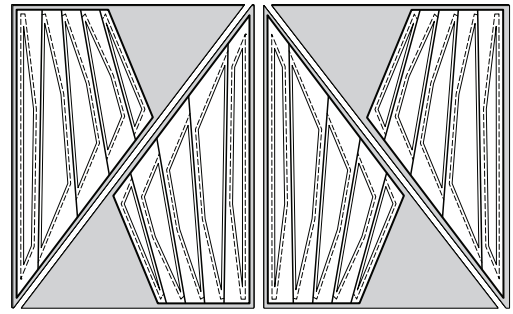
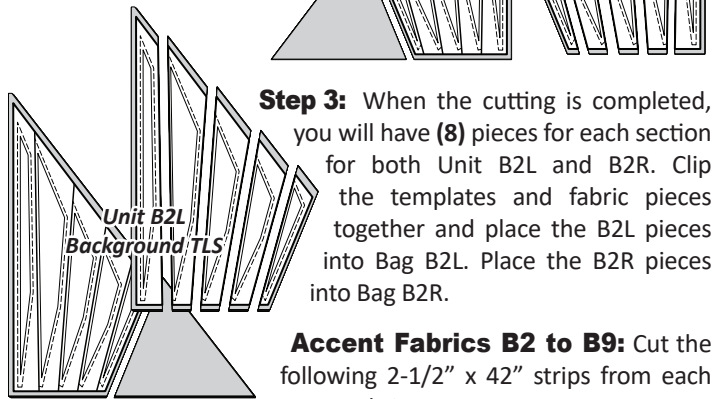


<b>Units B2L &amp; B2R Make (8) of Each</b>		
<b>GROUP-B FABRIC #</b>	<b>YARDAGE INCH</b>	<b>ASSIGNED COLOR</b>
<u>Background Fabric B1</u> Units B2L & B2R (Background TLS)	<u>3-1/8 yd</u> or (108")	FABRIC SWATCH
<u>Accent Fabric B2</u> Unit B2L (Accent B2L-2 Temp)	<u>1/8 yd</u> or (2-1/2")	FABRIC SWATCH
<u>Accent Fabric B3</u> Unit B2L (Accent B2L-4 Temp)	<u>1/8 yd</u> or (2-1/2")	FABRIC SWATCH
<u>Accent Fabric B4</u> Unit B2L (Accent B2L-6 Temp)	<u>1/4 yd</u> or (5")	FABRIC SWATCH
<u>Accent Fabric B5</u> Unit B2L (Accent B2L-8 Temp)	<u>1/4 yd</u> or (5")	FABRIC SWATCH
<u>Accent Fabric B6</u> Unit B2R (Accent B2R-2 Temp)	<u>1/8 yd</u> or (2-1/2")	FABRIC SWATCH
<u>Accent Fabric B7</u> Unit B2R (Accent B2R-4 Temp)	<u>1/8 yd</u> or (2-1/2")	FABRIC SWATCH
<u>Accent Fabric B8</u> Unit B2R (Accent B2R-6 Temp)	<u>1/4 yd</u> or (5")	FABRIC SWATCH
<u>Accent Fabric B9</u> Unit B2R (Accent B2R-8 Temp)	<u>1/4 yd</u> or (5")	FABRIC SWATCH
<u>Accent Fabric B10</u> T-Temps BR1 & BR2	<u>1/2 yd</u> or (16")	FABRIC SWATCH



**Step 2:** Restack each set of (8), *right-side-up*, and place the TLSs onto the top of each respective stack. Using a ruler and rotary cutter, cut around the perimeter, then slice through the paper and fabric, following the Cut Lines in numerical order on each of the layout sheets.



**Step 3:** When the cutting is completed, you will have (8) pieces for each section for both Unit B2L and B2R. Clip the templates and fabric pieces together and place the B2L pieces into Bag B2L. Place the B2R pieces into Bag B2R.

**Accent Fabrics B2 to B9:** Cut the following 2-1/2" x 42" strips from each Accent Fabric:

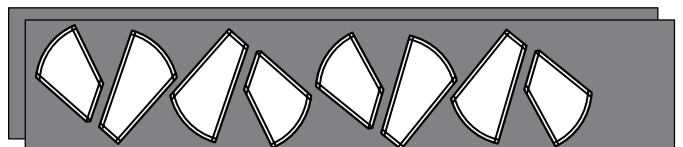
- Accent Fabric B2: (2) 2-1/2" Strip to be cut with Temp B2L-2.
- Accent Fabric B3: (2) 2-1/2" Strip to be cut with Temp B2L-4.
- Accent Fabric B4: (1) 2-1/2" Strips to be cut with Temp B2L-6.
- Accent Fabric B5: (1) 2-1/2" Strips to be cut with Temp B2L-8.
- Accent Fabric B6: (2) 2-1/2" Strip to be cut with Temp B2R-2.
- Accent Fabric B7: (2) 2-1/2" Strip to be cut with Temp B2R-4.
- Accent Fabric B8: (1) 2-1/2" Strips to be cut with Temp B2R-6.
- Accent Fabric B9: (1) 2-1/2" Strips to be cut with Temp B2R-8.

**Step 1:** Position the *Accent Template Layout Sheet* identified onto each set of strips (if there is more than one strip required, stack the strips *right-side-up*). Cut a total of (4) pieces the size of each TLS. (Graphics at top of next column).

**Step 2:** Restack the pieces into a stack of (4), *right-side-up*, then place the respective *Accent Template Layout Sheet* on top. Cut the template and fabric apart on the Cut Line. When the cutting is completed, you will have (8) pieces cut from each fabric.

**Step 3:** Clip the fabric pieces together for each Template (a total of (8) pieces), and place the B2L stacks into Bag #B2L. Place the B2R stacks into Bag #B2R.

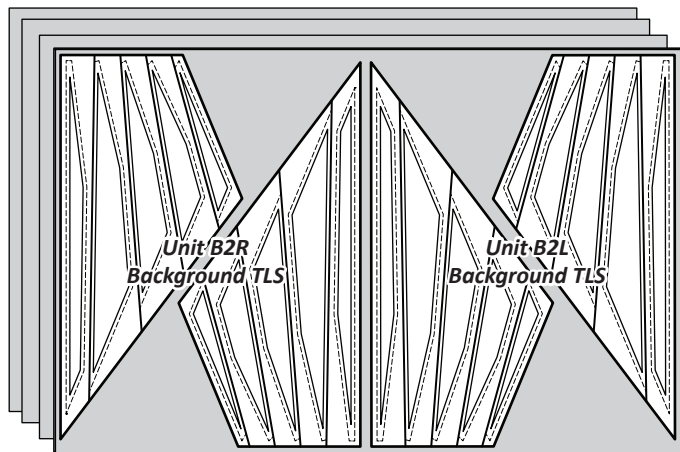
**Accent Fabric B10:** Cut and stack (2) 8" by 42" strips facing *right-side-up*.



## CUTTING INSTRUCTIONS, GROUP B

### ► Units B2L & B2R, Bags B2L & B2R

**Background Fabric B1:** Cut and stack (4) 27" by 42" strips facing *right-side-up*.



**Step 1:** Position the *Unit B2R Background Template Layout Sheet* onto the stack of (4) and cut (2) sets of fabric pieces the shape of the TLS for a total of (8) pieces. Then, use the *Unit B2L Background Template Layout Sheet* to cut (2) sets of fabric pieces the shape of the B2L TLS for a total of (8).