

## Sunrise Mixer Pattern

80" x 80"

### RADIANT BORDER INSTRUCTIONS

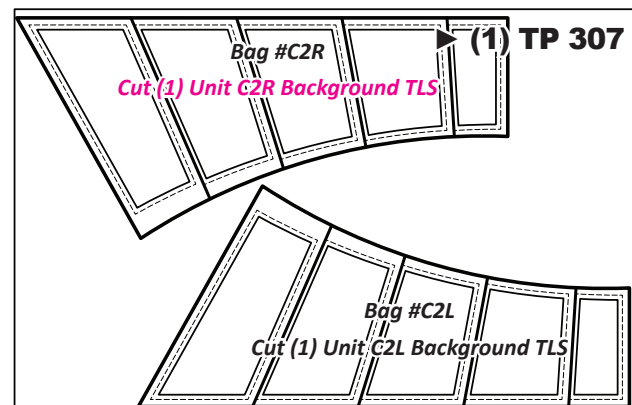
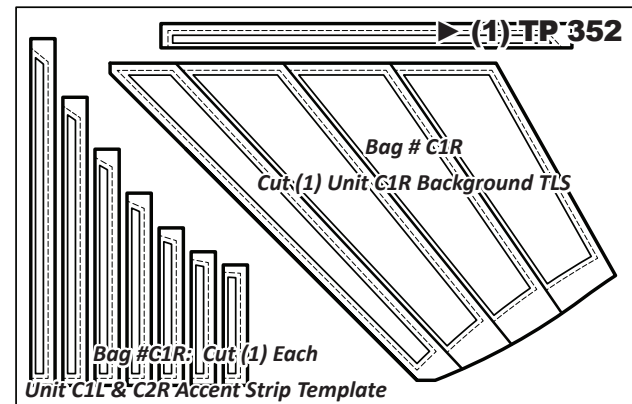
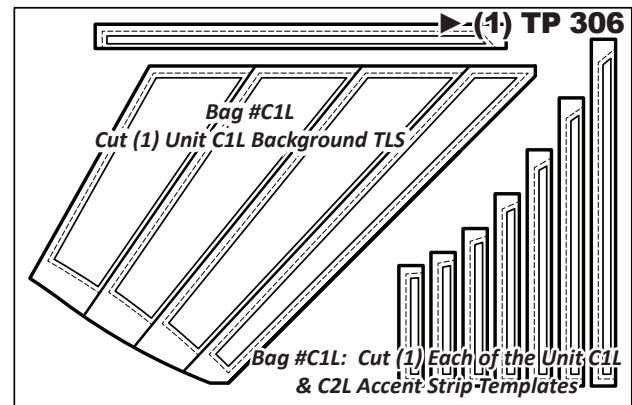
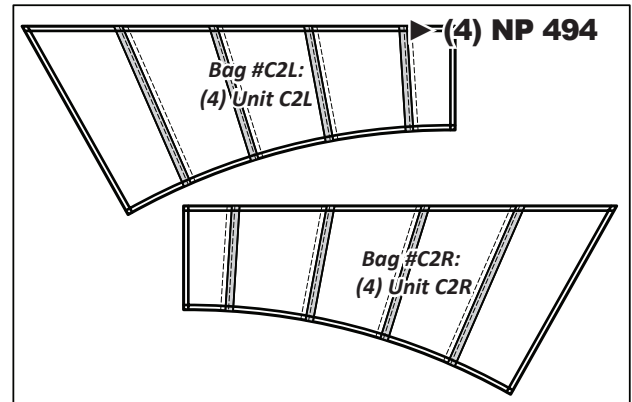
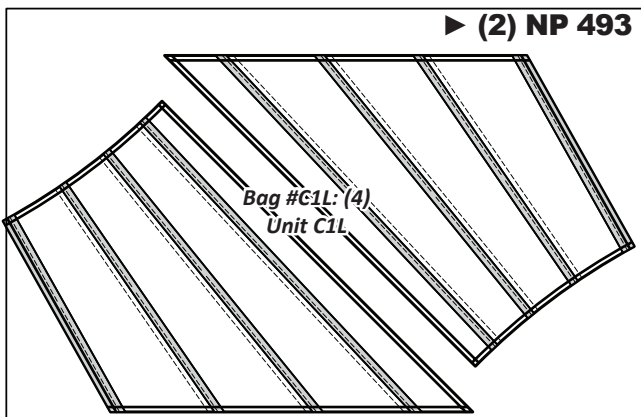
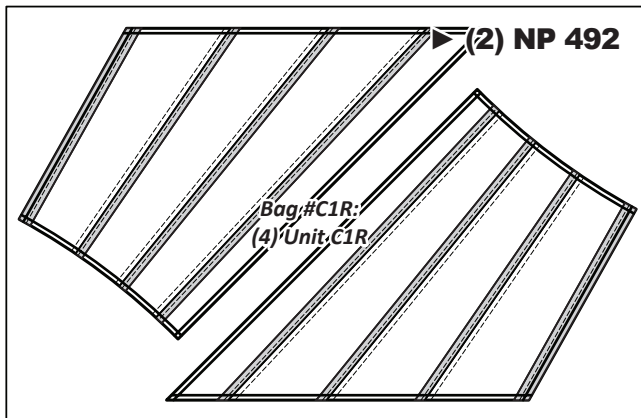
**Ziploc Storage Bags:** You will need (4) bags to complete the organization for the Units in Group C.

- Bag #C1R: (4) ea. Unit C1R Papers and Cutting Templates
- Bag #C1L: (4) ea. Unit C1L Papers and Cutting Templates
- Bag #C2R: (4) ea. Unit C2R Papers and Cutting Templates
- Bag #C2L: (4) ea. Unit C2L Papers and Cutting Template

#### ► Preparing the Foundation Papers:

**Foundation Papers:** This booklet includes enough foundation papers to square off a 70" diameter circle to an 80" x 80" layout. The foundation papers and templates for this pattern are printed on newsprint. Newsprint is lightweight and tears away from your stitches without damaging the threads. Please pull apart this package and check, at this time, to make sure your pattern includes all of the newsprint shown below and to the right.

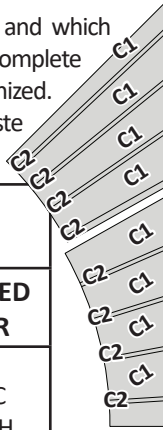
**Step 1:** Cut out (4) each of Units C1L, C1R, C2L, and C2R, from [NP 492, 493, 494] and the associated Template Layout Sheets (TLS) from [TP 306, 307 & 352], placing these in the appropriate bag. \*Refer back to General Information Booklet for Foundation papers and templates for additional instructions on how to prepare your foundation papers and templates.



► **Sunrise Radiant Border Fabric Information:**

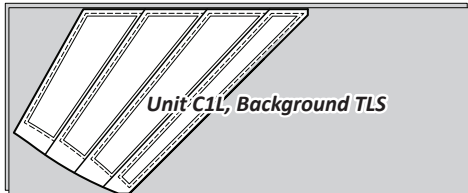
The table below includes yardage, fabric references, and which fabrics should go with which cutting templates to complete Group C. This table is your guide for keeping you organized. Don't forget to cut a swatch of your chosen fabric to paste in the box in the Assigned Colors column!

Sunrise Mixer Group C: Units C1L, C1R, C2L, & C2R, Make (4) of each		
GROUP-C FABRIC #	YARDAGE INCH	ASSIGNED COLOR
Background C1 C1L/C1R/C2L/C2R Background TLS	3-1/2 yd or 124"	FABRIC SWATCH
Accent C2 C1L/C1R/C2L/ C2R Accent TLS	1-1/8 yd or 36"	FABRIC SWATCH

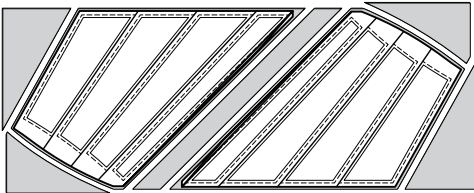


■ **SUNRISE RADIANT BORDER: UNITS C1L, C2L, C1R, C2R, CUTTING INSTRUCTIONS, BAGS C1L, C2L, C1R, C2R.**

► **Fabric C1, Units C1L & C1R**

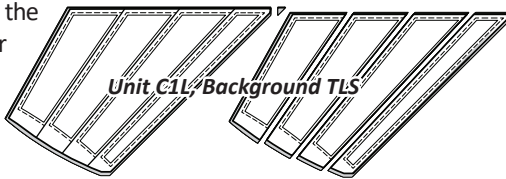


Unit C1L, Background TLS



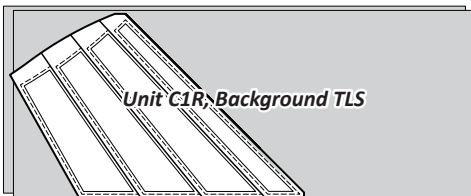
**Step 1:** From Fabric C1, cut (4) 17" x 42" Strips. Stack the strips *right-side-up* into (2) stacks. Use the *Unit C1L Background TLS* to sub-cut (4) fabric pieces the size of the Template Layout Sheet from (2) of the strips.

**Step 2:** Re-stack the pieces with their respective TLS on top. Then slice through the paper and fabric on each cut lines, in numerical order, to cut the pieces apart. Clip each stack together. Place the pieces for C1L into Bag #C1L.

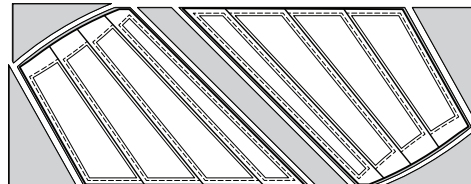


Unit C1L, Background TLS

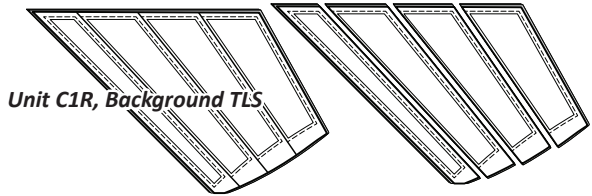
**Step 3:** Use the *Unit C1R Background TLS* to sub-cut (4) fabric pieces the size of the Template Layout Sheet from the other (2) strips.



Unit C1R, Background TLS



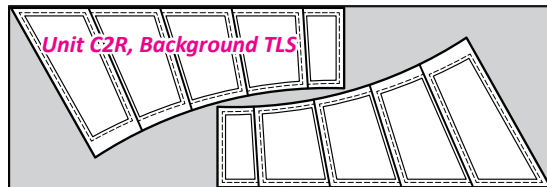
**Step 4:** Re-stack the pieces with their respective TLS on top. Then slice through the paper and fabric on each cut lines, in numerical order, to cut the pieces apart. Clip each stack together. Place the pieces for C1R into Bag #C1R.



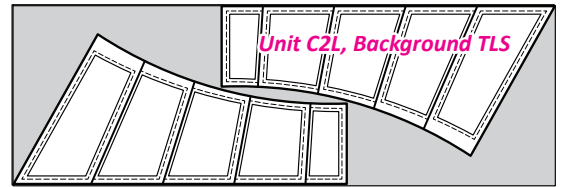
Unit C1R, Background TLS

► **Fabric C1, Units C2L & C2R**

**Step 5:** From Fabric C1, cut (4) 14" x 42" Strips. Stack these *right-side-up* into (2) stacks and use the *Unit C2L Background TLS* to sub-cut (4) fabric pieces the size of the Template Layout Sheet from (2) of the strips. Use the *Unit C2R Background TLS* to sub-cut (4) fabric pieces the size of the Template Layout Sheet from (2) of the strips.

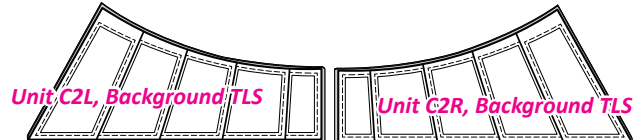


Unit C2R, Background TLS



Unit C2L, Background TLS

**Step 6:** Re-stack the pieces with their respective TLS on top.



Unit C2L, Background TLS

Unit C2R, Background TLS

**Step 7:** Slice through the cut lines, in numerical order, to cut the pieces apart. Clip each stack together. Place the pieces for C2R into Bag #C2R. Place the pieces for C2L into Bag #C2L.



Unit C2L

Unit C2R

► **Fabric C2**

**Step 8:** From Fabric C2, cut (24) 1-1/2" x 42" Strips. Stack the strips facing *right-side-up* into (6) stacks of four.

