

## Booklet 6, Group E

**Booklet 6:** Includes the Foundation Papers and T-Templates for two different border options (000) & (002) (001 is used for the Queen Group E, only). Also, find (3) LP pages that include the wall quilt assembly graphics. If you haven't already, it is now time to determine the Wall Quilt Border you want on your quilt. Instructions are included for both options in this Booklet.

**Solid Background Border Option 000:** Includes (2) pages of Background T-Templates for the solid border. The cutting instructions are found on Page 2. Place the papers into the bags referenced in the graphics below and in the next column under 'Ziploc Bags'. If you are doing the other option. Set these aside.

- TP 289 T-Templates 1 Sheet
- TP 290 T-Templates 1 Sheet

**Pieced Border Option 002:** Includes the foundation papers and T-Templates to complete the pieces border shown on several of the cover sheets. The cutting instructions start on Page 2. Place the papers into bags as noted under 'Ziploc Bags' and in the graphics shown in the next column. Do not use if you have chosen Option 000.

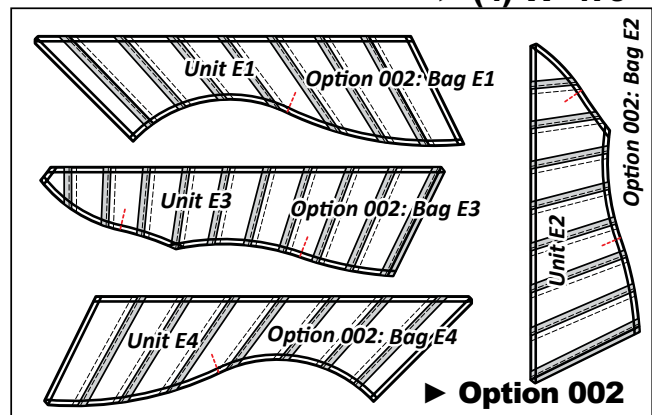
- NP 479 Foundation Papers 4 Sheets
- TP 293 T-Temp. (TLS) 1 Sheet
- TP 294 T-Temp. (TLS) 1 Sheet

The Foundation Papers, Templates and Template Layout Sheets are cut out at this time and placed in their assigned bags. The LP Layout Sheets LP 010, 011, and 012 are set aside until you are ready to assemble the quilt.

**Ziploc Bags:** (1) large Ziploc bag is assigned to E- Option 000. Five (5) large Ziploc bags are assigned to E Option 002.

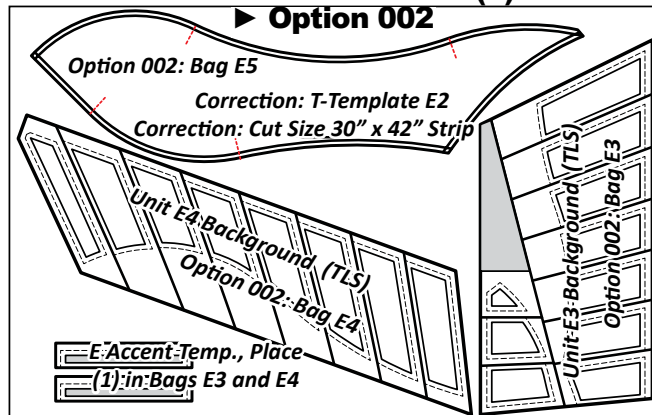
- Group E-Option 000: [Bag 1]
- Group E-Option 002: [Bag E1][Bag E2][Bag E3][Bag E4][Bag E5]

### ► (4) TP 479

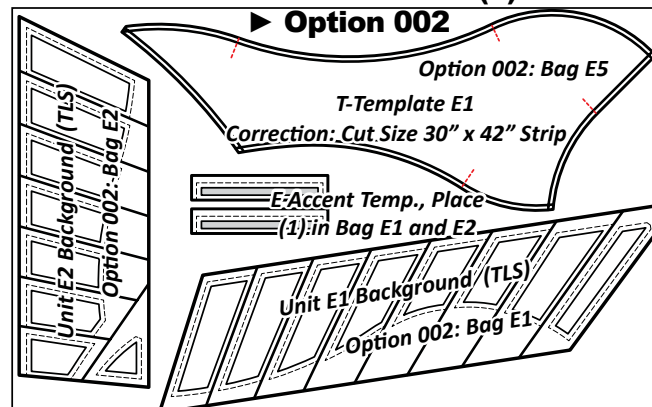


### ► Option 002

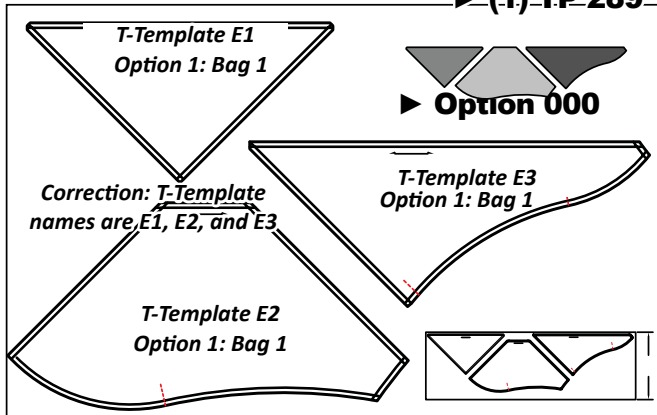
### ► (1) TP 294



### ► (1) TP 293



### ► (1) TP 289



### ► (1) TP 290

