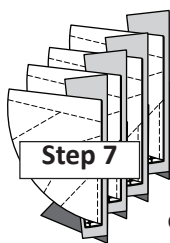
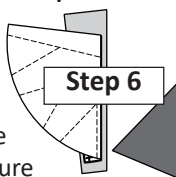


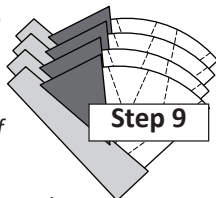
Step 6: Place the fabric piece for Sec. 2, *right-side-up* next to the folded back paper as shown.



Step 7: Lift the foundation paper and slide the fabric under Sec. 2. Line the sew-side up with the trimmed seam allowance. Make sure the fabric extends beyond the boundaries of the dashed lines for Sec. 2. Repeat **Steps 3-7** for each foundation paper before moving onto Step 8.

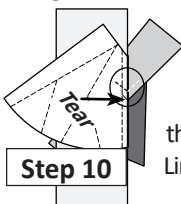


Step 8: Sew on Line 1. The stitches should start and stop about 1/8" past the beginning and the end of each stitch line. Complete the sewing on each Unit before moving onto the next step.



NOTE - Trimming the Threads: Sewing past the ends of your sew line makes it possible to cut the thread ends off each time you trim with your **Add-A-Quarter** ruler.

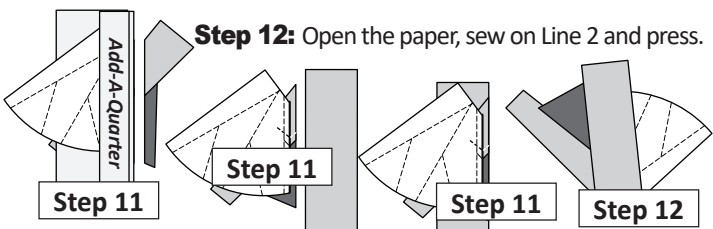
Step 9: Loosen the glue under Sec.1, then press the fabric pieces open on the backside of each paper.



Step 10: Position the fold template over the top of Sections 1 and 2, lining the edge up with Line 2. Fold the paper back and tear the paper along the stitches on Line 1. Stop tearing when you hit the fold template.

NOTE - Tear Back the Paper: Tearing the paper along the stitches allows the fabric to relax making it possible to place the **Add-A-Quarter** ruler along the folded edge.

Step 11: Trim the fabric with the **Add-A-Quarter** ruler, position the third fabric piece *right-side-up* next to the paper. Lift the paper and slide the fabric under Sec. 3 in position.



Step 12: Open the paper, sew on Line 2 and press.

Repeat the previous steps for each section on the foundation paper. When the paper piecing is complete, trim off the excess fabric following the perimeter of the outer dark line printed on the foundation paper. Place the pieces back into Bag A.

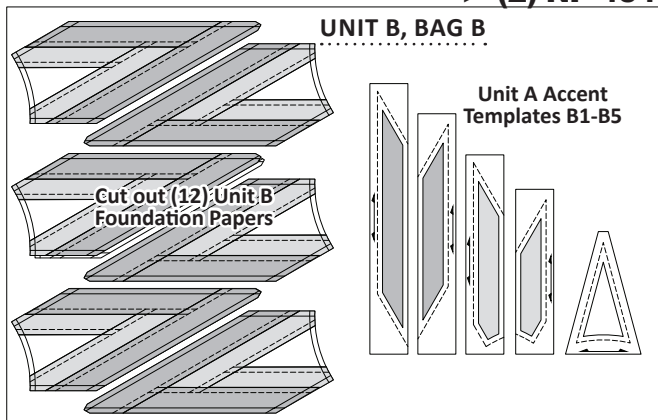
NOTE - Removing the Foundation Paper: It is recommended that you do not remove the foundation papers on Unit A at this time.

LOG CABIN STAR: GROUP B: BAG B CUTTING INSTRUCTIONS

► Foundation Papers and Templates:

Cut out (12) each of Unit B, Foundation Papers from the [NP 464], along with the Templates for each Sec. 1-5. See the newsprint graphics for information on how to organize your units and templates into bags. *Refer back to General Information for Foundation papers and templates for additional instructions on how to prepare your foundation papers and templates.

► (2) NP 464



► Log Cabin Star Fabric Information

The table below includes the yardage and fabric references for each Template, needed to complete Unit B. This table is your guide for not only selecting your own colors, but keeping you organized. Don't forget to cut a swatch of your chosen fabric to paste in the box in the Assigned Colors column!

Unit B Yardage Make (12) Each

GROUP-B FABRIC #	YARDAGE INCH	ASSIGNED COLOR
Background Fabric B1 Unit B, (Temp B-1)	1/4 yd or (6-1/4")	FABRIC SWATCH
Accent Fabric B2 Unit B, (Temp B-2)	1/4 yd or (6-3/4")	FABRIC SWATCH
Accent Fabric B3 Unit B, (Temp B-3)	1/4 yd or (6-3/4")	FABRIC SWATCH
Accent Fabric B4 Unit B, (Temp B-4)	3/8 yd or (9")	FABRIC SWATCH
Accent Fabric B5 Unit B, (Temp B-5)	3/8 yd or (9")	FABRIC SWATCH

► **Group B Color Layout (Original Graphic is correct, but showed the Backside. of the units. This new graphic Shows the Front-Side and the fabric references were mirrored to show from the front side and match Quiltster).**

