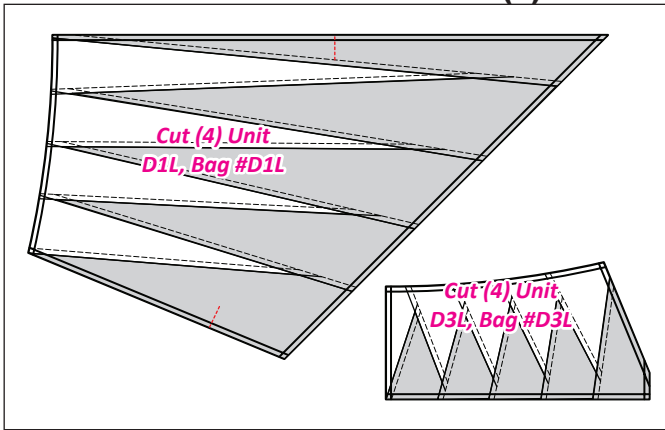


BORDER: GROUP D INSTRUCTIONS

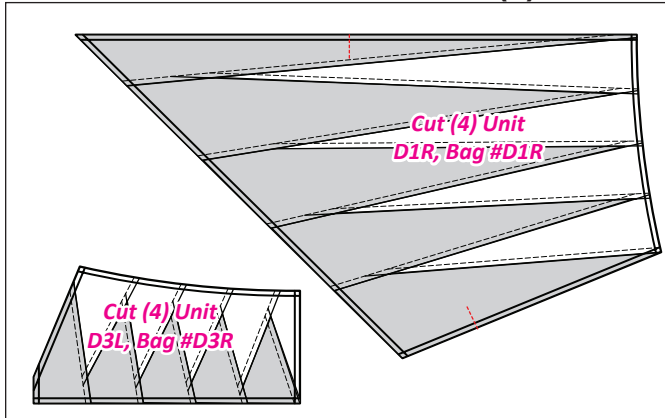
► Foundation Papers and Templates:

Cut out (4) each of the Foundation Paper Unit D1L, Unit D1R, D2L, D2R, D3L, and D3R from [NP 457 to NP 459], along with (1) of each of the T-Templates and Template Layout sheets on [TP 273 to TP 277]. There is also fabric layout and assembly information included on [LP 014]. See the following newsprint graphics for information on how to organize your units and templates. All of the Foundation Sheets and Templates should be placed into the appropriate Bag. *Refer back to General Information for Foundation papers and templates for additional instructions on how to prepare your foundation papers and templates.

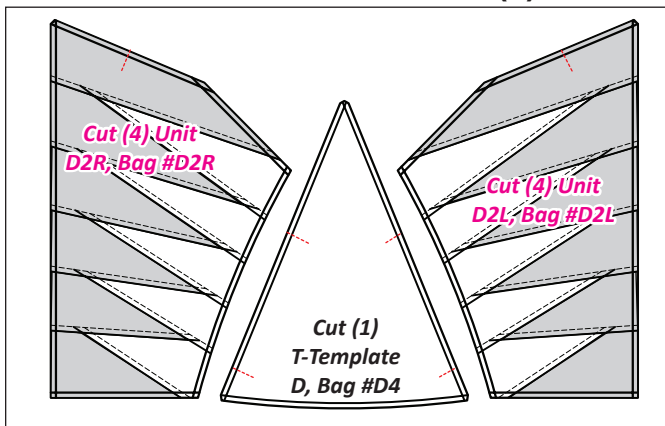
► (4) NP 457



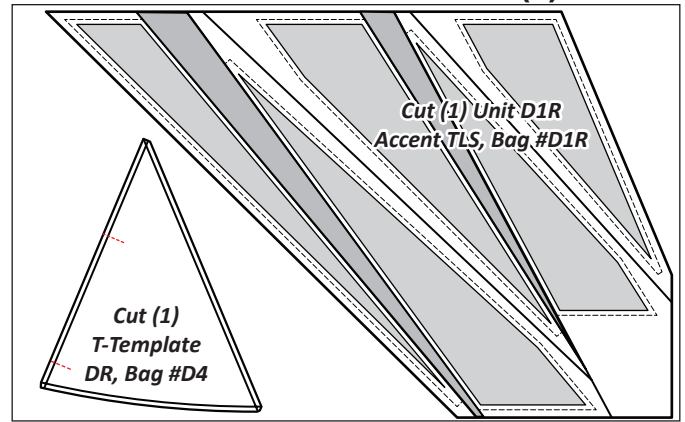
► (4) NP 458



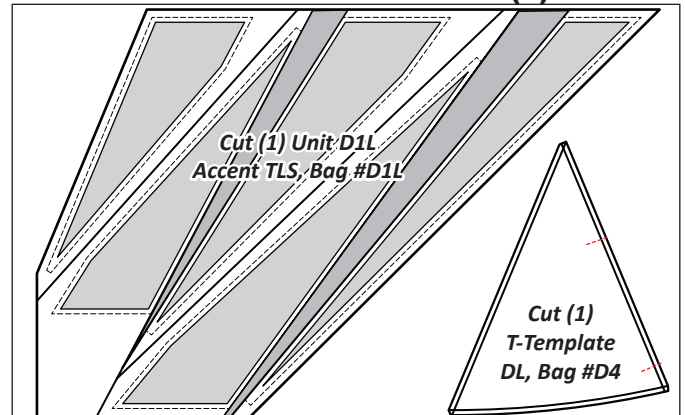
► (4) NP 459



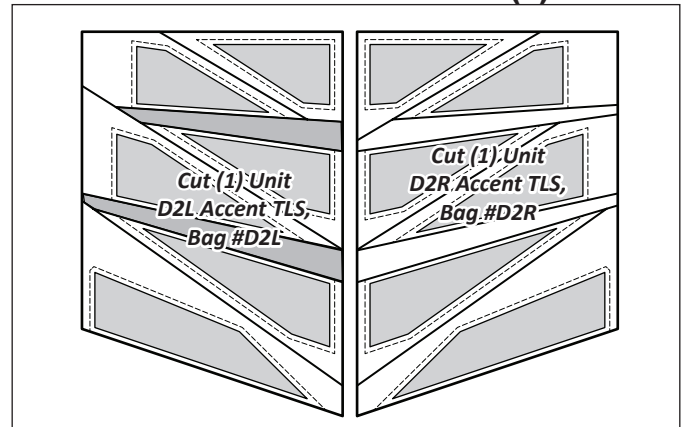
► (1) TP 273



► (1) TP 274



► (1) TP 275



► (1) TP 276

