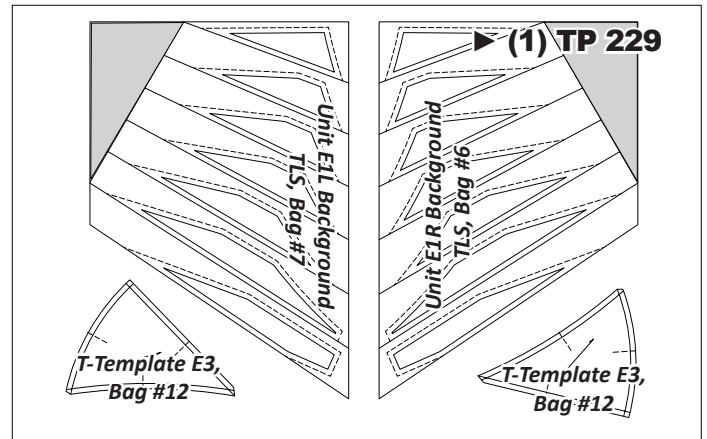
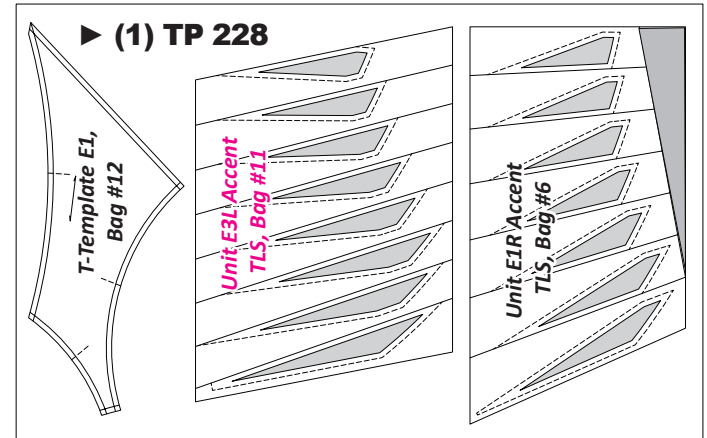
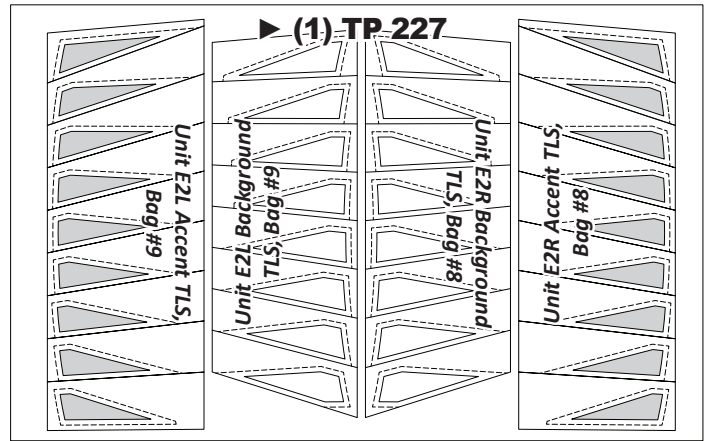
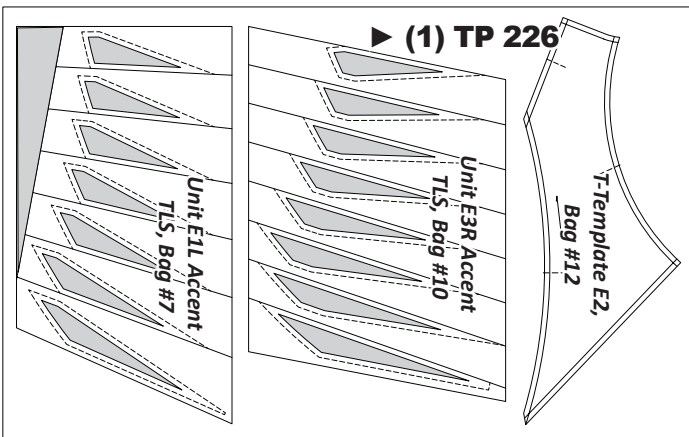
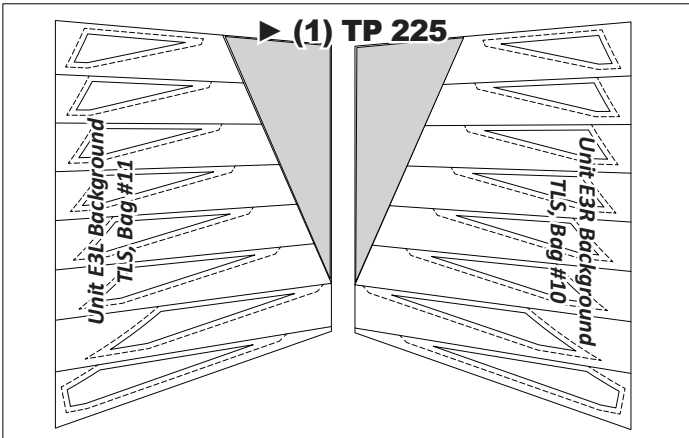
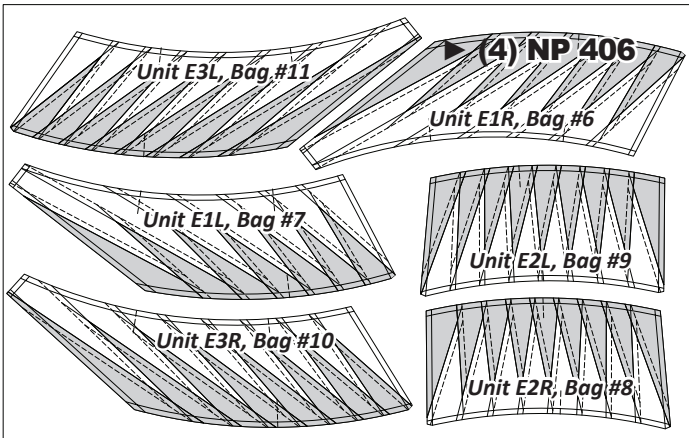


SWAG BORDER: GROUP E: CUTTING INSTRUCTIONS BAGS #6 TO #12

► Foundation Papers and Templates

Cut out (4) each of the Foundation Papers for Unit E1L, Unit E1R, Units E2L and E2R, and Unit E3L and E3R on NP 406, along with (1) of each Template Layout Sheet and T-Templates includes on TP 225 to TP 229. See the following newsprint graphics for information on how to organize your units and templates into their corresponding bags. *Refer back to *General Information for Foundation papers and templates* for additional instructions on how to prepare your foundation papers and templates.



► Swag Border Fabric Information

The tables below and to the right include yardage, fabric references, and which fabrics should go with which cutting templates to complete Group E. This table is your guide for not only selecting your own colors, but keeping you organized. Don't forget to cut a swatch of your chosen fabric to paste in the box in the Assigned Colors column! This will help you stay organized!

T-Template E1, E2, and E3 Yardage		
Make (8) Each		
GROUP-E FABRIC #	YARDAGE INCH	ASSIGNED COLOR
(White) Fabric E3 (T-Temp E1, E2, & E3)	2 yd or (72")	FABRIC SWATCH