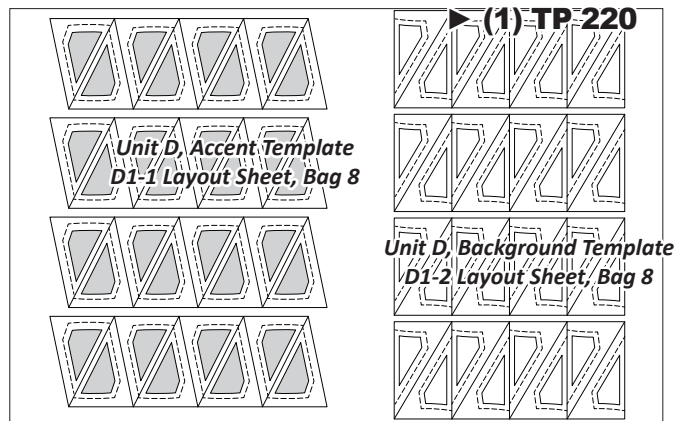
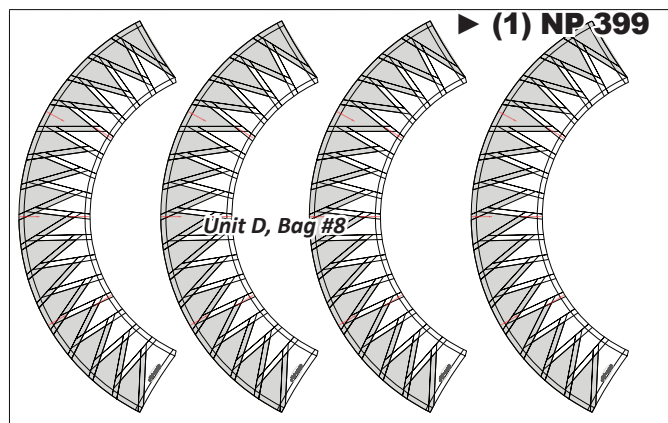


CLAMSHELL BORDER: GROUP D: CUTTING INSTRUCTIONS BAG 8

► Foundation Papers and Templates:

Step 1: Cut out (8) each of the Foundation Papers for Unit D on NP 399, along with (4) of each Template Layout Sheets on TP 220. See the following newsprint graphics for information on how to organize your units and templates into their corresponding bags. *Refer back to *General Information for Foundation papers and templates for additional instructions on how to prepare your foundation papers and templates.*

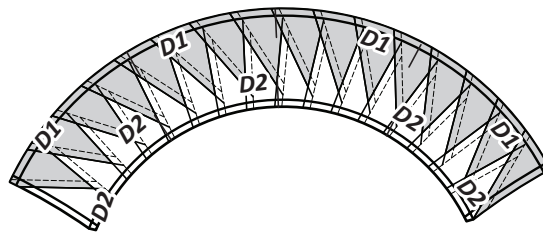


► Clamshell Border Fabric Information:

The table below includes yardage, fabric references, and which fabrics should go with which cutting templates to complete Unit D. This table is your guide for not only selecting your own colors, but keeping you organized. Don't forget to cut a swatch of your chosen fabric to past in the box in the Assigned Colors column! This will help you stay organized!

Unit D Yardage Make (8) Each		
GROUP-D FABRIC #	YARDAGE INCH	ASSIGNED COLOR
Fabric D1 Unit D (Temp D1-1 Layout)	1 yd or (30")	Fabric Swatch
Fabric D2 Unit D (Temp D1-2 Layout)	1 yd or (31-1/2")	Fabric Swatch

► Color Layout



► Fabric D1 (TLS) Unit D

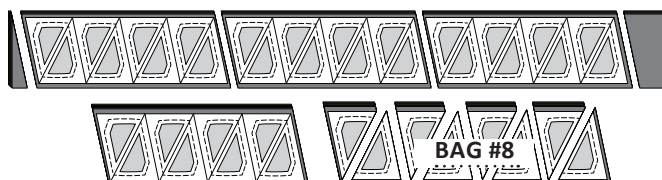
Step 1: Cut and stack (6) 5" by 42" strip facing *right-side up*.



Step 2: The *Unit D Accent Template D1-1 Layout Sheet* is placed onto the strips as shown. Cut (16) pieces, matching the size and shape of the Template Layout Sheet. You will cut (3) pieces from (5) strips and (1) piece from one strip.



Step 3: Stack (8) pieces under each Template Layout Sheet. The cutting is completed by slicing through the paper on each cut line to separate the individual sections. Paper clips are used to keep the fabric and template pieces together. Place these pieces with the *Unit D Foundation Papers* in Bag #8.



► Fabric D2: (TLS) Unit D

Step 1: Cut and stack (6) 5-1/4" by 42" strips facing *right-side up*.



Step 2: The *Unit D Background Template D1-2 Layout Sheet* is placed onto the strips as shown. Cut (16) pieces, matching the size and shape of the Template Layout Sheet. You will cut (3) pieces from (5) strips and (1) piece from one strip.



Step 3: Stack (8) pieces under each Template Layout Sheet. The cutting is completed by slicing through the paper on each cut line to separate the individual sections. Paper clips are used to keep the fabric and template pieces together. Place these pieces with the *Unit D Foundation Papers* in Bag #8.

