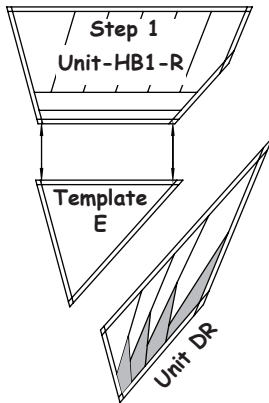
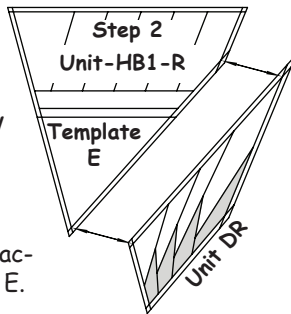


Finishing the Quilt, Step 1: Template E is sewn onto Unit HB1-R. The fabrics are placed *right-sides-together*. Match, and pin, the intersections together where the stitching lines intersect on each unit. A few additional pins placed along the raw edge will keep the fabric from shifting while sewing the seam together.



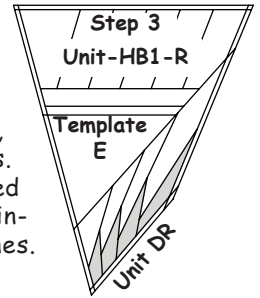
Illustrations reflect the Front Side View

Note: An alternative to pins, use a touch of glue to hold the raw edges together instead of your pins. A fabric glue pen is a great tool for this purpose.



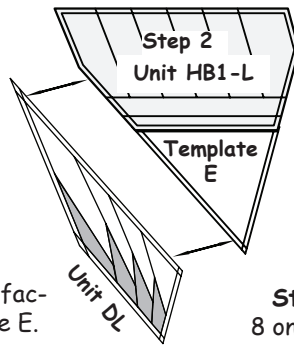
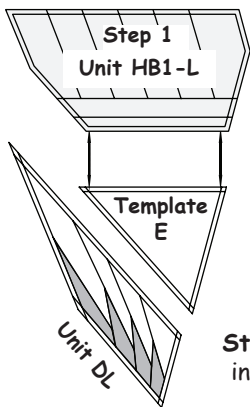
Step 2: Press seams facing towards Template E.

Step 3: Unit DR is sewn onto the grouping with *right-sides-together*. Three pins are used to match the A, B, & C, registration points. Additional pins should be used to match the quarter inch intersections on the sewing lines. Make (4) sets.



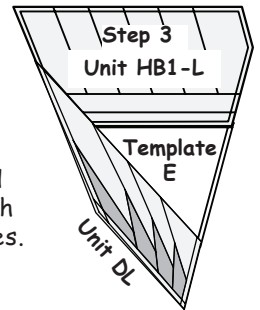
Step 4: Remove the foundation paper under sections 2, 4, 6, & 8, on Unit-DR. Press seams facing towards Unit DR.

Step 1: Template E is sewn onto Unit HB1-L. The fabrics are matched and pinned with *right-sides-together* at each intersection on the stitching line. Use your pins or your glue to secure the raw edges before you sew.



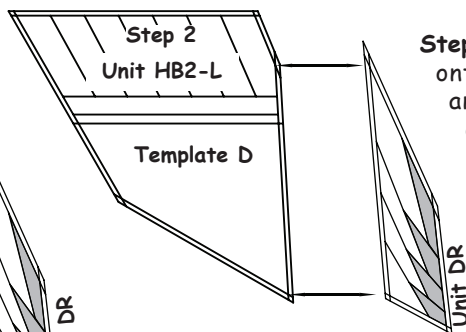
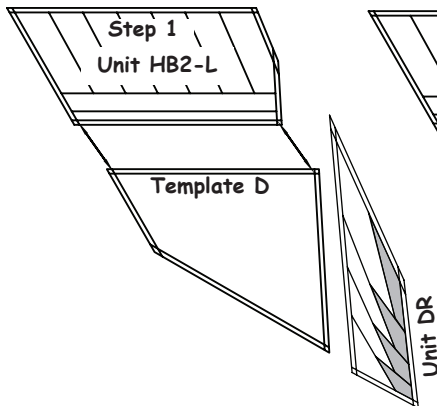
Step 2: Press seams facing towards Template E.

Step 3: Unit DL is sewn onto the grouping. The fabrics are placed *right-sides-together*. Three pins are used to match the A, B, & C, registration points. Additional pins should be used to match the quarter inch intersections on the sewing lines. Make (4) sets.



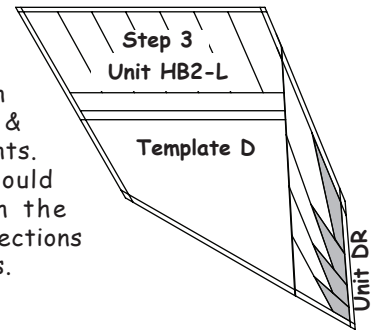
Step 4: Remove the foundation paper under sections 6, 7, & 8 on Unit-DL. Then press the seams facing towards Template E.

Step 1: Template D is sewn onto Unit HB2-L. The fabrics are matched and pinned with *right-sides-together* at each intersection on the stitching line. Use your pins or your glue to secure the raw edges.



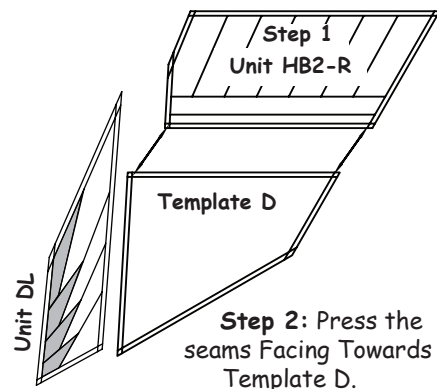
Step 2: Press seams facing towards Template D.

Step 3: Unit-DR is sewn onto the grouping. Pin and match the A, B, & C, registration points. Additional pins should be used to match the quarter inch intersections on the sewing lines.

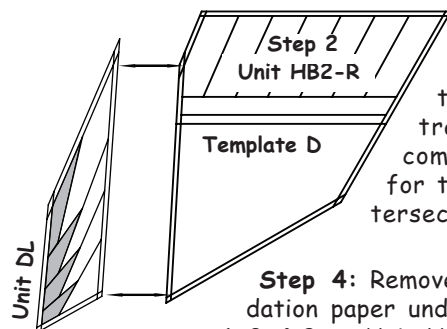


Step 4: Remove the foundation paper under sections 2, 4, 6, & 8 on Unit-DR. Press the seam facing towards Unit DR.

Step 1: Template D is sewn onto Unit HB2-R. The fabrics are matched and pinned with *right-sides-together* at each intersection on the stitching line. Use your pins or your glue to secure the raw edges.

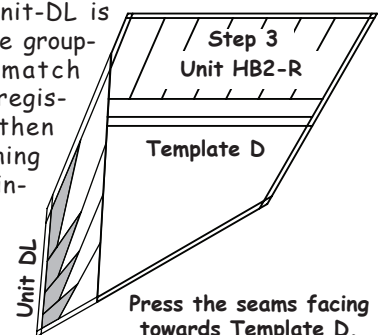


Step 2: Press the seams Facing Towards Template D.



Step 4: Remove the foundation paper under sections 1, 8, & 9, on Unit-HB2-R.

Step 3: Unit-DL is sewn onto the grouping. Pin and match the A, B, & C, registration points, then complete the pinning for the remaining intersections.



Press the seams facing towards Template D.