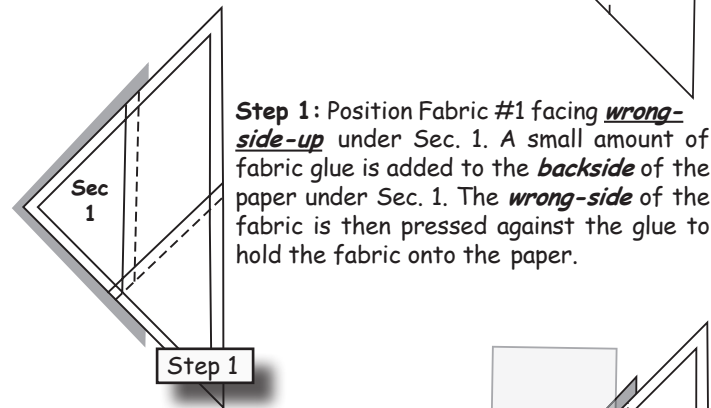
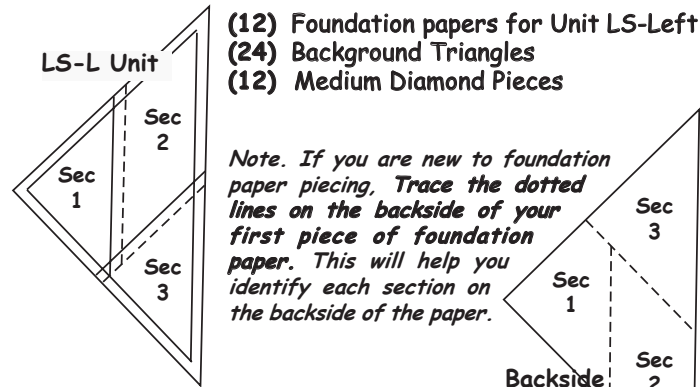
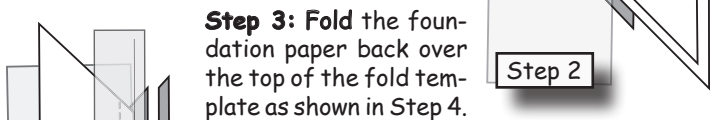


Foundation Piecing, Unit LS-Left,

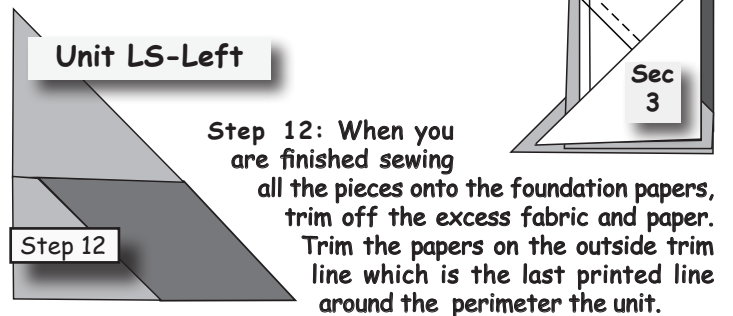
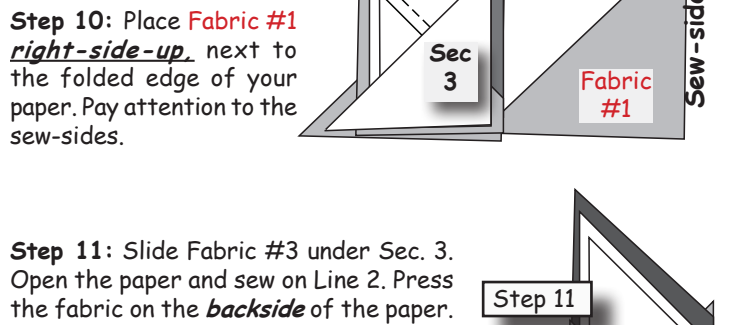
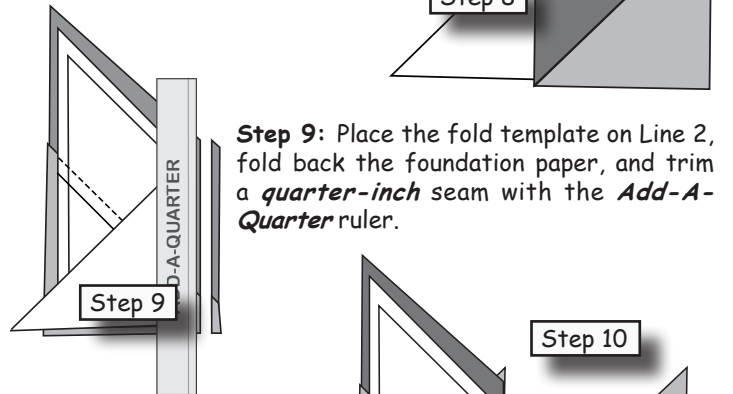
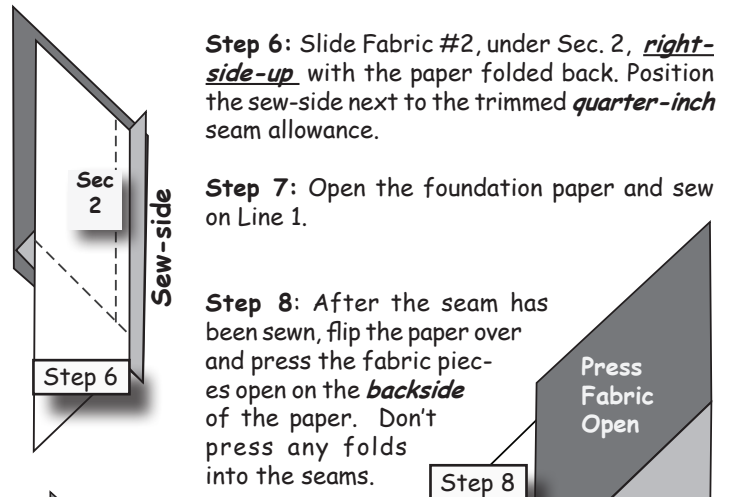
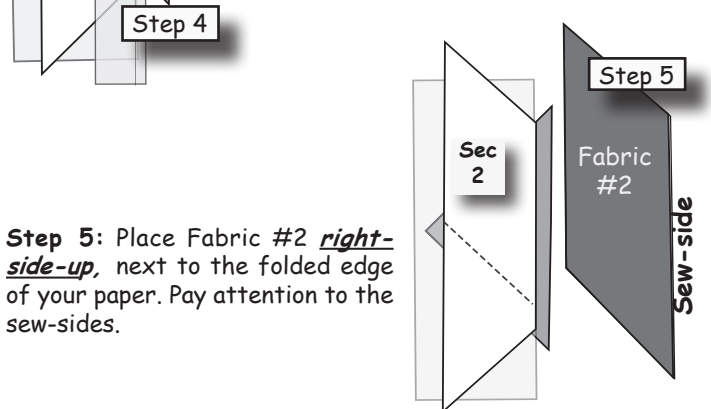
Bag #1, Large Stars, Make 3 Stars.



Step 2: Place the fold template over Sec.1 along the solid black line marked Line 1. The paper is now facing printed-side-up.



Step 4: Place the Add-A-Quarter ruler along the folded edge of the paper and trim with your rotary cutter.



Foundation Piecing, Unit SS-Left 6" Stars

Bag #3, Unit SS-Left: Make 4 Stars.

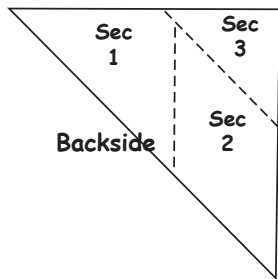
The small 6" stars are paper pieced together by following the previous instructions laid out in steps 1-12 for Unit LS-Left.

- (16) Foundation papers for Unit LS-Left**
- (32) Background Triangles**
- (16) Medium Diamond Pieces**

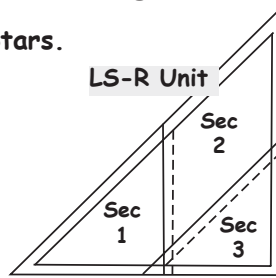
Foundation Piecing, Unit LS-Right

Bag #2, Large Stars, Make 3 Stars.

- (12) Unit LS-Right
- (24) Background Triangles
- (12) Dark Diamond Pieces

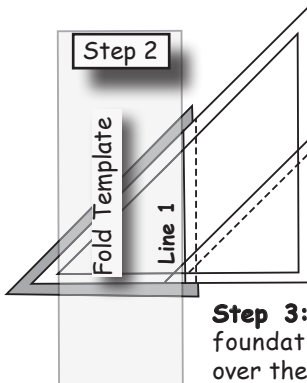
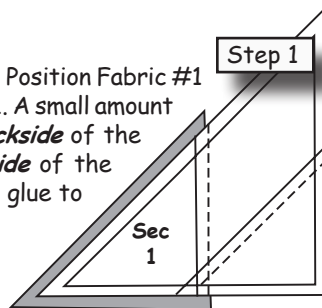


Note. If you are new to foundation paper piecing, Trace the dotted lines on the backside of your first piece of foundation paper. This will help you identify each section on the backside of the paper.



Step 1: Position Fabric #1 facing *wrong-side-up* under Sec. 1. A small amount of fabric glue is added to the *backside* of the paper under Sec. 1. The *wrong-side* of the fabric is then pressed against the glue to hold the fabric onto the paper.

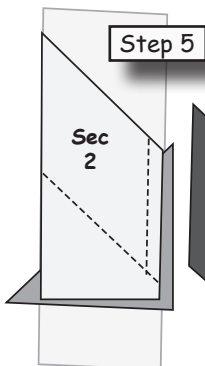
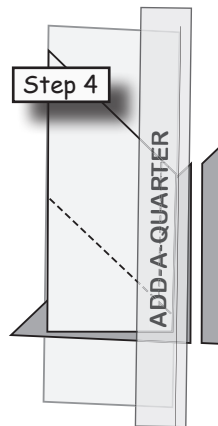
Step 1: Position Fabric #1



Step 2: Place the *fold template* over Sec. 1 along the edge of Line 1. The paper is facing *printed-side-up*.

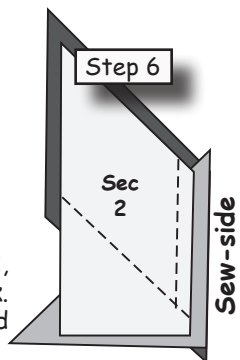
Step 3: Then fold the foundation paper back over the top of the fold template on Line 1.

Step 4: Place the *Add-A-Quarter* ruler along the folded edge of the paper and trim with your rotary cutter.



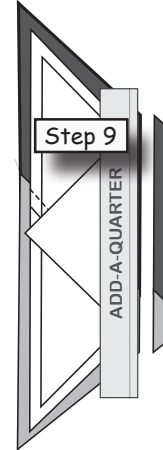
Step 5: Place *Fabric #3* *right-side-up*, next to the folded edge of your paper. Pay attention to the *sew-sides*.

Step 6: Slide Fabric #2, under Sec. 2, *right-side-up* with the paper folded back. Position the *sew-side* next to the trimmed *quarter-inch* seam allowance.



Step 7: Open the foundation paper and sew on Line 1.

Step 8: After the seam has been sewn, flip the paper over and press the fabric pieces open on the *backside* of the paper. Don't press any folds into the seams.



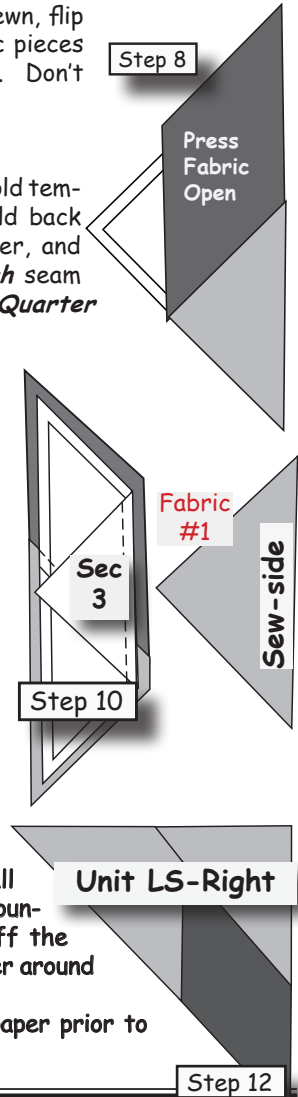
Step 9: Place the *fold template* on Line 2, fold back the foundation paper, and trim a *quarter-inch* seam with the *Add-A-Quarter* ruler.

Step 10: Place *Fabric #1* *right-side-up*, next to the folded edge of your paper.

Step 11: Slide *Fabric #3* under Sec. 3. Open the paper and sew on Line 2. Press the fabric on the *backside* of the paper.



Step 12: When you are finished sewing all the pieces onto the foundation papers, trim off the excess fabric and paper around the perimeter of the unit. Remove the foundation paper prior to sewing the stars together.



Foundation Piecing, Unit SS-Right 6" Stars

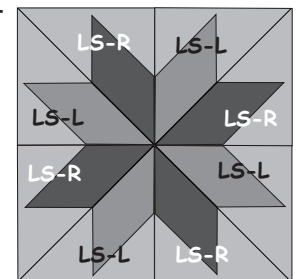
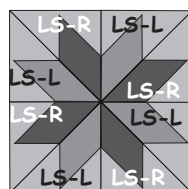
Bag #4, Unit SS-Right: Make 4 Stars.

The small 6" stars are paper pieced together by following the previous instructions laid out in steps 1-12 for Unit LS-Right.

- (16) Foundation papers for Unit LS-Right
- (32) Background Triangles
- (16) Dark Diamond Pieces

Sewing the Blocks Together

When the paper piecing is finished, the left and right units are sewn together to complete the corner blocks. The corner blocks are then sewn together to complete (3) 12" star and (4) 6" stars.



The blocks were designed to fit together with opposing seams when sewing the blocks together. All the seams are pressed counter-clockwise on the *backside* of the fabric.